

Espera[®]

Multi Roller Printer





Functionality and Design:

ESPERA'S Multi Roller Printer.

Maximum performance within a confined space – up to five different labels can be selected, printed and applied with the use of only one printer: This kind of mode allows you to consider optimally the individual label requirements of the retail market.



ESPERA®



The compact multi roller printer demonstrates an innovative milestone in the construction of ESPERA. Specifically designed for the ever-changing market this machine offers high performance and functionality with minimum space.

With only one printer and labelling system, but with 5 fan-shaped cassettes for different labels, this machine can label goods without loss of time for article or label change.

Thereby one product can be labelled individually non-stop or different products will be labelled with different labels: The multi roller printer opens up new possibilities for an efficient and space-saving weigh price labelling system –all at a convincing price performance ratio.

The multi roller printer is available in combination with the weight depending price labeller ES 7000 or with the print & apply solution ES 9000, with performances up to 120 packages per minute.





**Efficiency
with minimum space**



ES 7800



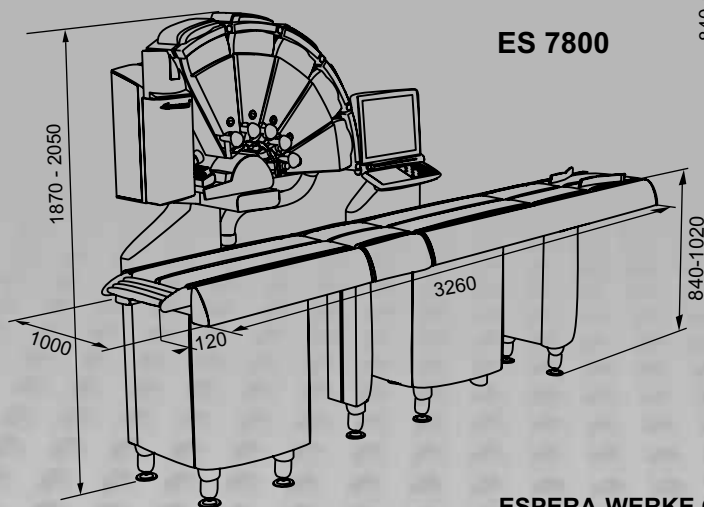
Flying cassette change

Even during the operation a cassette can be taken out and loaded with a new label roll without any loss of production.

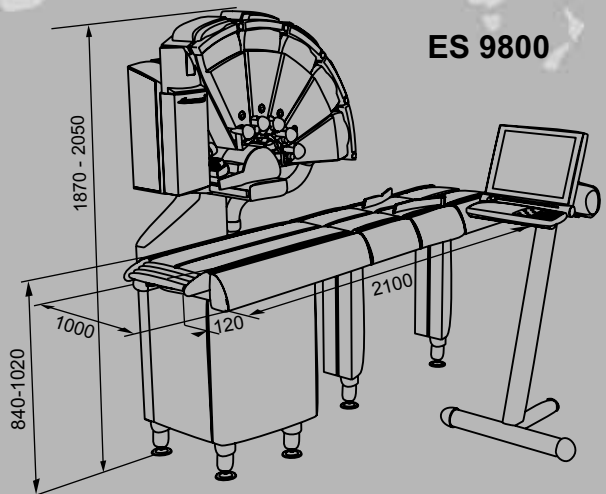




Model	Multi roller printer
Performance ES 7800	up to 120 pack./minute
Performance ES 9800	up to 120 pack./minute
Infeed	separated packages
Minimum distance	500 ms pulsing
Product detection	light barrier
12 Dot/mm/300 dpi	yes
Label passage	110 mm
Maximum printing speed	300 mm/s
Print head service life optimised	yes
Print width	104 mm
Label minimum W x L	37 x 37 mm
Label maximum W x L	110 x 200 mm
Label rotation	110 x 110 mm
Label reel core	76 mm
Label reel outside diameter	210 mm
	inside winding preferred
Pack height compensation	automatic
Cross settings	automatic
RS 232	yes
RS 485	optional
Ethernet	yes
Remote Maintenance / Internet	yes
PS/2 connection / parallel / USB	yes
Memory	Hard disc
Mains voltage	190 V to 240 V / 50 - 60 Hz
Operating temperature	-10 °C to +40 °C
Compressed air, oil-free	6 bar
Total printer	optional
Multi printer operation	possible



ES 7800



ES 9800

ESPERA-WERKE GMBH

Postfach 10 04 55 • 47004 Duisburg
 Tel. ++49(0)203/30 54 - 0 • Fax ++49(0)203/30 54 - 275
 info@espera.com • www.espera.com