

# ES 5900

The low cost  
compact

Weigh Price Labeller



ES 5911

- ES 1000
- ES 2000
- ES 3000
- ES 4000
- ES 5000**
- ES 6000
- ES 7000
- ES 8000
- ES 9000

**Espera**®



# ES 5900

## Fully automatic weigh price labelling

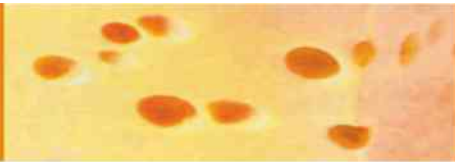
- Performance: up to 65 packs/minute
- Compact and space-saving design
- Design housing manufactured mainly from stainless steel
- High resolution colour monitor with touch screen
- Interactive control of the unit
- Product pre-selection memory (no article changeover times)
- User friendly input of master data incl. label design software



Terminal with touch screen



ES 5902



Printer turned by 90°



Label placement by lateral printer adjustment



ES 5901

The ES 5900 is a compact system with the capability for integration with stretch film units and the majority of top-seal, flow-pack and thermoformer machines. It is also possible for the machine to be hand-fed.

Due to the compact design the ES 5900 can easily be installed into production lines where space is an issue.

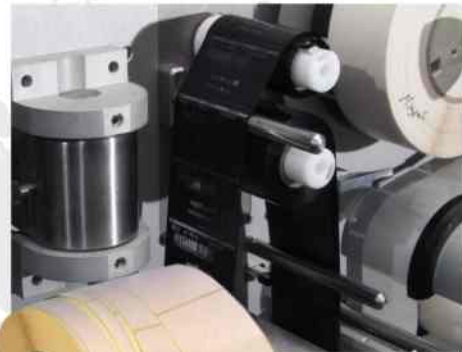
The system offers an excellent price/performance ratio. The state-of-the-art construction and design of the ES 5900 ensures easy serviceability with the support of the remote service modules, software updates can also be performed with ease. One single light barrier maintains product transport control. Finally, it is possible to integrate the ES 5900 into your existing network to manage it by our interactive Weigh Price Labelling Management Software, ESMS.

Option: All printers (from the top or bottom) can be equipped for thermal transfer print.





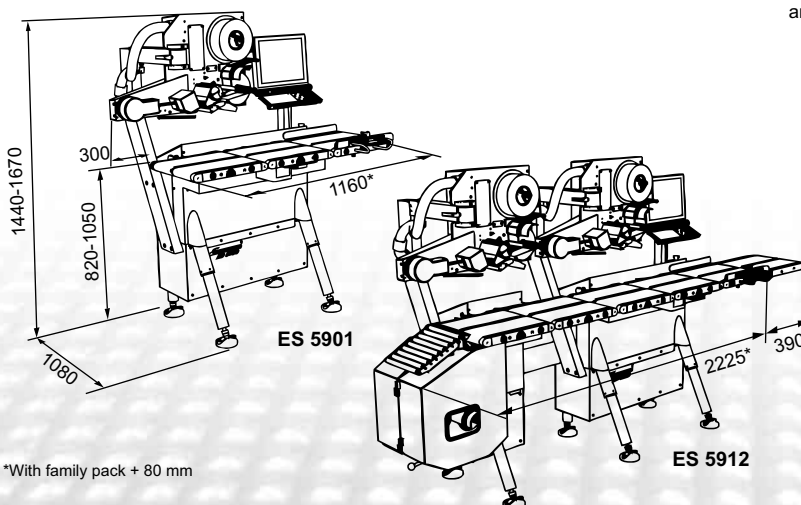
Series / Model	ES 5900
Terminal	ESC with touch screen
Pack Size in mm (L x W x H) with family pack option	L 300 x W 360 x H 160 L 380
Pack Weight max.	6 kg
Performance	up to 65 packs/min
12 Dot/mm / 300 dpi	yes
Label passage	110 mm
Maximum Printing Speed top	250 mm/s
Maximum Printing Speed bottom	175 mm/s
Total Label Flap	for the top printer
Multiple Printer Operation	up to 2 top printers, 1 bottom printer
Print width	104 mm
Label Minimum W x L	37 x 30 mm
Label Maximum W x L	104 x 170 mm
Label reel core	76 mm
Label reel outside diameter	210 mm (inside wound)
Interfaces	
RS 232	yes
Ethernet	yes
PS/2 / Parallel	yes
Memory	Hard Disc
USB port	yes
Pack Height Compensation	automatically up to 160 mm
Cross Setting	manually
Mains Voltage	180 V to 255 V / 50 – 60 Hz
Operating Temperature	- 10 °C to + 40 °C
Design	Stainless Steel, Stainless Materials
Options	Infeed / Separator Conveyor Total Printer ESD 104 / 234 / 404 Thermal transfer equipment



Optional Thermal transfer equipment



Bottom printer with a label roll of up to 210 mm and a splashproof housing



Optional infeed conveyor / separator station

### ESPERA-WERKE GMBH

Postfach 10 04 55 • 47004 Duisburg  
Tel. ++49(0)203/30 54 - 0 • Fax ++49(0)203/30 54 - 275  
info@espera.com • www.espera.com