

ES 8000

Fully Automatic Price Labelling, dynamic operation

- High-performance system for large capacities
- Labelling output: up to 150 packs per minute
- Interactive Price Labelling with ESMS control software



The cross adjustment settings
of the printer are stored in
the pack set-up program



ES 8001



ES 8012



ES 8100
Checkweighing-Version



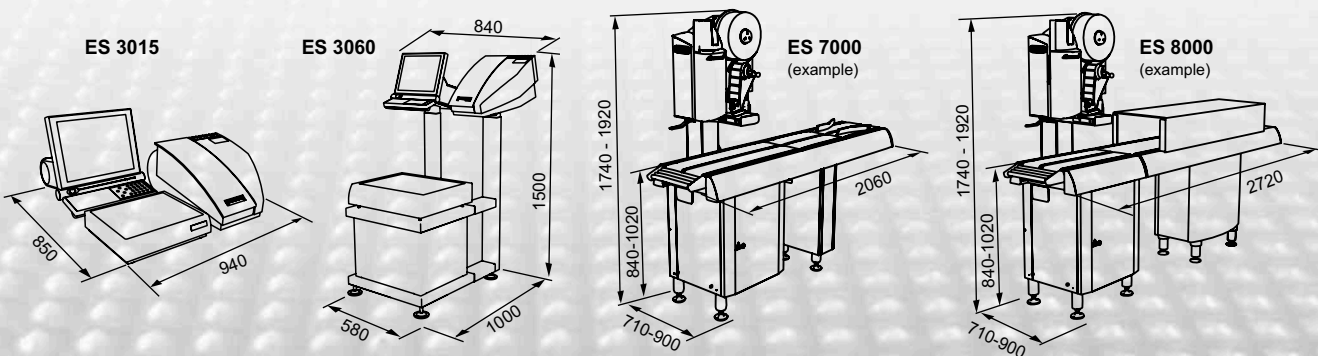
ES 8002

The high-speed ES 8000 is the premier model in the range of Price Labelling Systems from ESPERA. Technical know-how, a desire for innovation and the readiness to comply rigorously with customer's requirements has resulted in a truly impressive system. With this Price Labeller a more efficient use of production time is effortlessly achieved, not only because it labels up to 150 packs per minute, but also because there are no longer any "set-up" times, i.e. while one order is in progress, preparation can be made for the next ones.

The system is managed via the ESMS control software, which makes interactive Price Labelling possible for the first time. New with this range, ESPERA offers remote maintenance via a modem. Any questions can be dealt with quickly on-line.

Modell	ES 3012	ES 3015	ES 3060	ES 7000	ES 8000
Pack size in mm (L x W x H)					
Max. with alignment unit		–		370 x 280 x 200	370 x 280 x 200
Max. without alignment unit		–		370 x 360 x 200	370 x 360 x 200
Max. with long pack program		–		up to L 750*	–
Labelling output packs/min.		–		up to 120	up to 150
Multiple printer operation		Yes		Yes	Yes
Total printer		Yes		Yes	Yes
8 Dot/mm / 200 dpi		Yes		Yes	Yes
12 Dot/mm / 300 dpi		Yes		Yes	Yes
Label passage		110 mm		110 mm	110 mm
Maximum printing speed		100 mm/s		300 mm/s	300 mm/s
Print head service life optimised		–		Yes	Yes
Print width		80 / 104 mm		80 / 104 mm	80 / 104 mm
Label minimum W x L		22 / 37 x 15 mm		37 x 37 mm	37 x 37 mm
Printer from below	–	–		52 x 37 mm	52 x 37 mm
Label maximum W x L		110 x 480 mm		110 x 200 mm	110 x 200 mm
Printer from below		–		110 x 130 mm	110 x 130 mm
Label Rotation		–		110 x 110 mm	110 x 110 mm
Label reel core		76 mm		76 mm	76 mm
Label reel outside diameter		210 mm		285 mm	285 mm
Scales		static		dynamic	dynamic
Weighing range	6 / 12 kg	3 / 6 / 15 kg	15 / 30 / 60 kg	3 / 6 / 8 kg	3 / 6 kg
Scale increment	2 / 5 g	1 / 2 / 5 g	5 / 10 / 20 g	1 / 2 / 5 g	1 / 2 g
Scale	300 x 275 mm	330 x 235 mm	540 x 430 mm	–	–
Height compensation & cross settings		–		automatic	automatic
Number of legs (basic machine)		–		5	8
RS 232		Yes		Yes	Yes
RS 485		Optional		Optional	Optional
Ethernet		Yes		Yes	Yes
Maintenance / Internet		Yes		Yes	Yes
PS/2 connection		Yes		Yes	Yes
Parallel / USB		Yes		Yes	Yes
Memory intern/extern			Hard disc		
Mains voltage			190V to 240V / 50 - 60 Hz		
Operating temperature			- 10 °C to + 40 °C		

*depends on packages and machine configurations



ESPERA-WERKE GMBH

P.O. Box 10 04 55 • 47004 Duisburg
 Tel. ++49(0)203/30 54 - 0 • Fax ++49(0)203/30 54 - 275
 info@espera.com • www.espera.com