

# ES 2000

## Manual Weighing System



ES 1000  
ES 2000  
ES 3000  
ES 4000  
ES 5000  
ES 6000  
ES 7000  
ES 8000  
ES 9000



Model	ES 2012	ES 2015	ES 2060
Terminal	ESC with touch-screen		
User interface	ESMS		
12 dot/mm/300dpi	Yes		
Label path	118 mm		
Max print speed	150 mm/s		
Print width	104 mm		
Labels min. W x L	25 x 13 mm		
Labels max. W x L	118 x 2159 mm		
Label core ø	38 - 76 mm		
Label roll outside ø	165 - 203 mm		
Scale	static / multi range		
Weighing range	6 / 12 kg	3 / 6 / 15 kg	15 / 30 / 60 kg
Increments	2 / 5 g	1 / 2 / 5 g	5 / 10 / 20 g
Scale plate	305 x 275 mm	330 x 235 mm	540 x 430 mm
Ethernet	Yes		
Internal analogue modem	Yes		
Maintenance/Internet	Yes		
PS/2 connection	Yes		
USB	Yes		
Memory	Hard disc		
Mains voltage	100 – 240 V / 50 – 60 Hz		
Thermal transfer operation	Yes		
Label-take sensor	Yes		
Perforated carton labels	Yes		
Adjustable label sensor for irregular shaped labels	Yes		
Optional related equipment	Cutting Device		



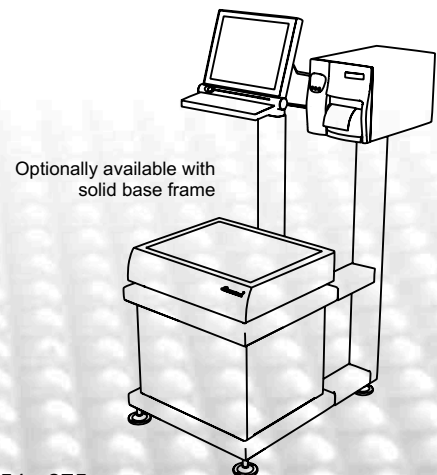
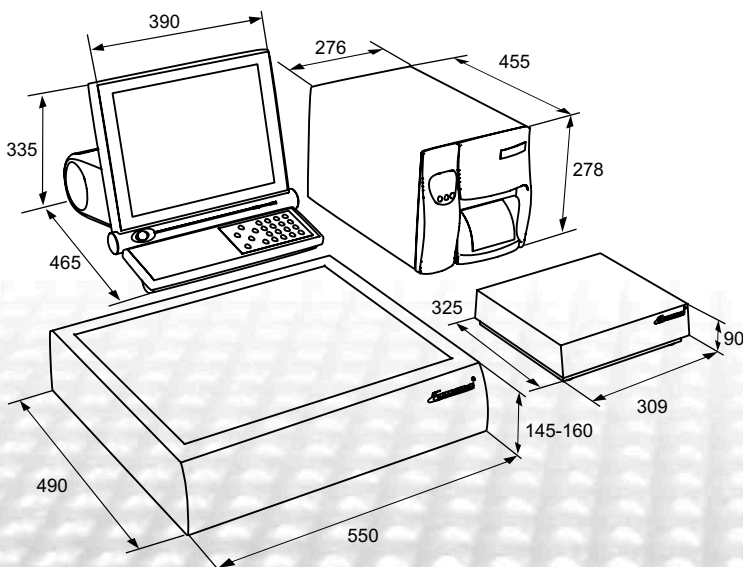
Optional cutting device for pack labels



Sensor for label detection



Printer unit with standard Thermal Transfer (TTF) stationary



Optionally available with solid base frame

**ESPERA-WERKE GMBH**

Postfach 10 04 55 • 47004 Duisburg  
 Tel. ++49(0)203/30 54 - 0 • Fax ++49(0)203/30 54 - 275  
 info@espera.com • www.espera.com

795 701D / 0.0 / 2011-12 The photographs show specific machine configurations. Subject to technical modifications.