

## INTECONT® Satus, Indicator for Beltscales



- Clear text operator guidance on back lighting LCD display
- Stainless steel – at a high protection class
- Table-top or wall mounting
- Fieldbus-compatible
- Ethernet interface, can also be used for configuration
- All components can be exchanged without recalibration

### Application

The indicator INTECONT® Satus is designed for applications using stand-alone belt weigher MULTIBELT® with on-site electronics.

By focusing primarily on the necessities the INTECONT® Satus represents a very attractive, simple and modern device on the market.

### Equipment and functionality

The indicator for beltscales INTECONT® Satus VKG 20790 has a standard stainless steel console shaped case in protection class IP65 that is suited for table-top and wall mounting.

The indicator has an easily readable back lighting LCD display for showing measured values with clear text operator guidance. Data is keyed in via flexible membrane keyboard with 6 keys.

All INTECONT® Satus parameters can be configured very easy by using the PC program EasyServe.

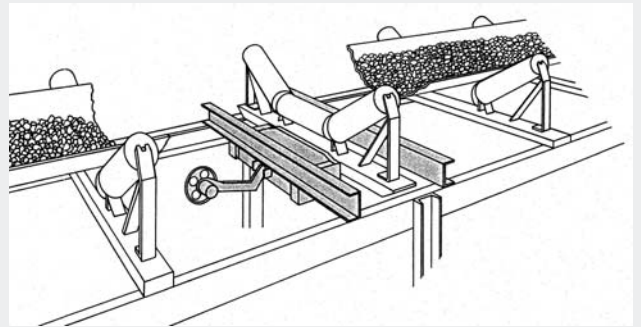
The parameters are stored using the load cell dongle technology and therefore are available even after replacement of the main board.

Since Ethernet is increasingly becoming the communication standard even in industry, INTECONT® Satus has a standard 10/100Mbaud network connection. Also the well-established Modbus.

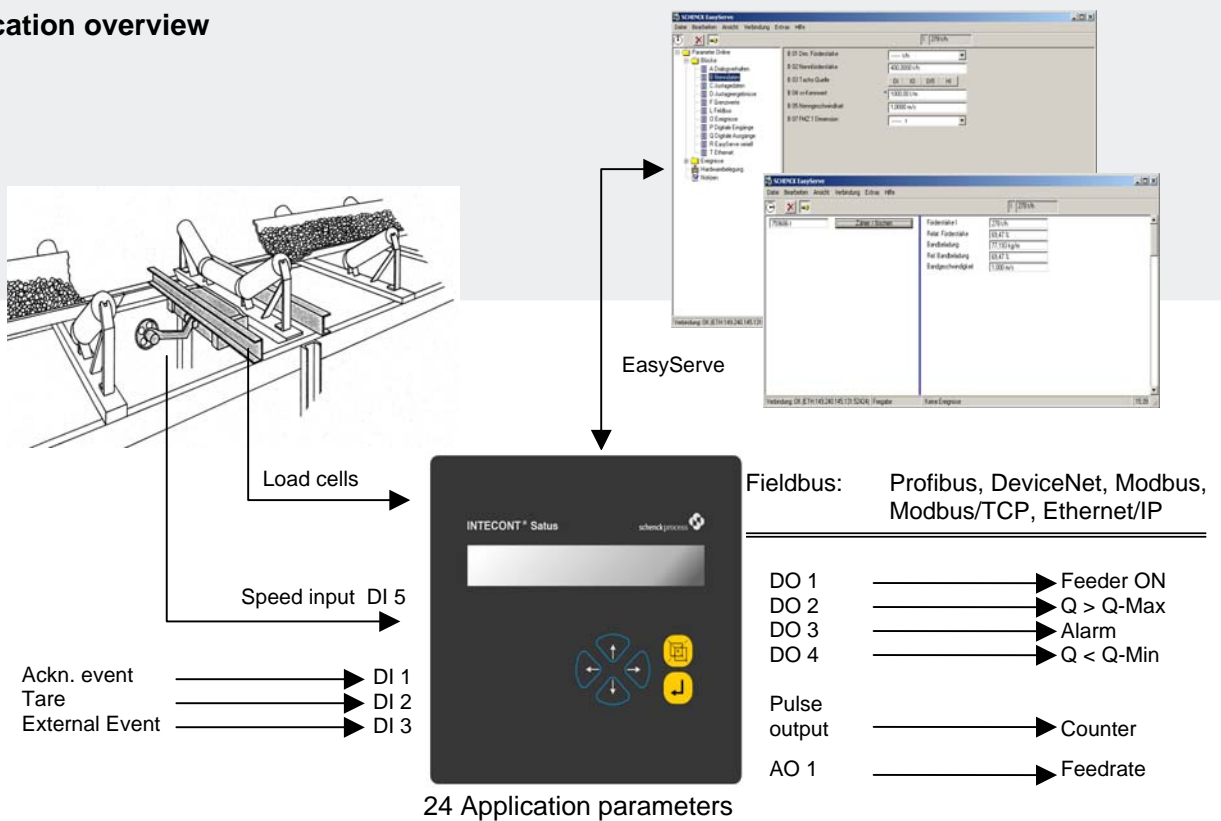
Optional fieldbus protocols for Profibus DP-V0, DeviceNet, Ethernet MODBUS/TCP and Ethernet/IP are available.

## Belt weigher application

- On site assembly possible
- simple and easy commissioning
- automatic measuring of bulk solids flow
- Totalizing counter
- Belt load monitoring
- Zero-drop-out (no totalizing if belt load is too low, empty belt)



## Application overview

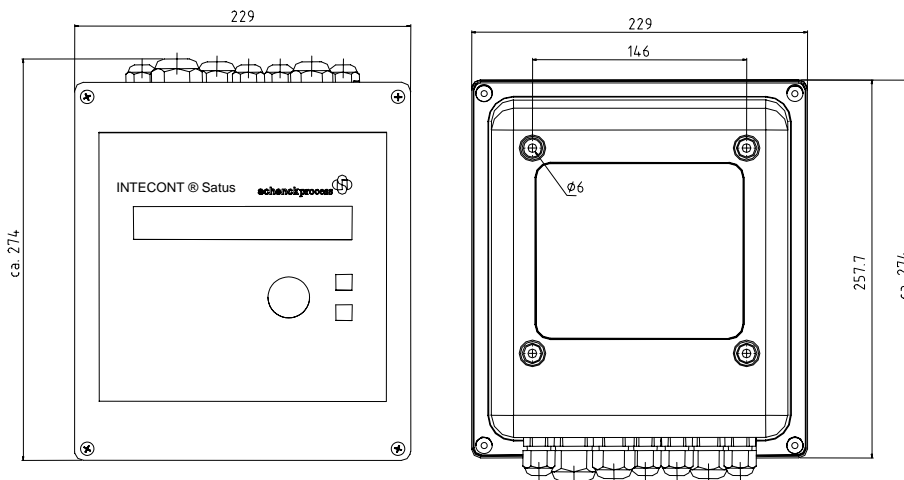


## INTECONT® Satus

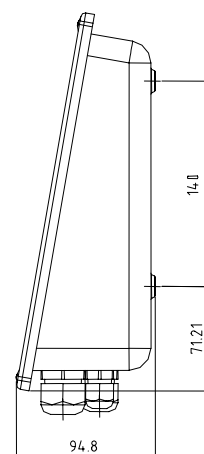
- Stainless steel housing with a high protection class
- All connections are tied up to special functions
- All components can be exchanged without reverification
- Functionality self explaining: simple and easy commissioning
- Minimized complexity: only necessary parameters have to be adapted
- 6 keys sufficient for data input and control
- Preloaded menu languages: German, English, French, Spanish, Italian
- PC-based service program EasyServe; to be connected serial or via Ethernet
- Serial connections on board: Modbus; Ethernet with Modbus/TCP protocol
- Optional fieldbus protocols: Profibus DP-V0; DeviceNet; Ethernet with protocol Ethernet/IP (for AllenBradley – Master)



### Table-top



### Wall mounting



## Technical data

<b>View</b>	LCD back lighting. 1 cell 20 characters. Characters 12mm high	
<b>Keyboard</b>	6 keys	
<b>Supply voltage</b>	85-240 VAC, 50-60Hz, max. 10 VA	
<b>Housing</b>	Stainless steel 1.4301, deep drawn, IP 65	
<b>Temperature range</b>	Service temperature: -30...+60 °C	
<b>Measuring circuit</b>	Supply voltage:	5V alternating current supply
	Range:	-20mV...+20mV;
	Load cell impedance:	Rmin 47Ω
	Cable length:	max. 1000m
<b>Units</b>	kg, t, lb; kg/h, t/h, lb/h;	
<b>Taring</b>	to be started via digital input or keyboard	
<b>Belt monitoring</b>	zero-drop-out; Belt load >max / < min	
<b>Binary inputs</b>	3 x Optocoupler, 18-36 VDC, typ. 5 mA	<b>assigned signal</b>
		Ack. event
		Tare
		External event
	1 x NAMUR, max. 5V, 0,04-3000Hz	Tacho input
<b>Binary outputs</b>	4 x relay, 230 VAC, 60W max.	Running
		Belt load Q>Max
		Alarm
		Belt load Q<Min
<b>Pulse output</b>	Optocoupler, 18-36VDC, max. 50 mA/10Hz	Totalizing counter pulses
<b>Analog output</b>	0(4)-20mA, 12 Bit, max. imp. 500Ω	Feedrate
<b>Serial connections</b>	Interface 1: RS 232	EasyServe
	Interface 2: RS 232	- not used -
	Interface 3: RS 485,2/4-wire	Modbus fieldbus
	Ethernet	Modbus/TCP fieldbus
<b>Optional</b>	PROFIBUS DPV0, DeviceNet, Ethernet/IP	

## Equipment supplied

Systems	Type	Material number
INTECONT® Satus, Stainless steel housing IP65	VKG 20790	V040007.B01
INTECONT® Satus with Profibus Fieldbus card	VKG 20792	V060127.B01
INTECONT® Satus with DeviceNet Fieldbus card	VKG 20793	V060128.B01
INTECONT® Satus with Ethernet/IP Interface	VKG 20795	V060129.B01
<b>Options</b>		
Profibus Fieldbus card	VPB 020	V040030.B01
DeviceNet Fieldbus card	VCB 020	V040031.B01
Ethernet/IP activating	VET 20700	V040035.B01
<b>Spare parts</b>		
Cover with keyboard		in preparation
Load cell plug (dongle)	VDO20700	V040013.B01
<b>EasyServe</b>		
Software and cable		in preparation
Software (CD)	VPC 20150	E144541.01
Cable for EasyServe, 9p/3p		V052410.B01