

DI-166 Series

Weighing indicator



DI-166

DI-166SS

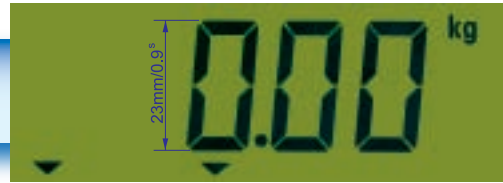
DIGI DI-166 series will easily speed up weighing operations with precision and economy.

**DI-166 Series
Weighing indicators**

User-friendly features make it suitable to a wide range of weighing applications.



High contrast LCD with back-light



Simplified operations with only 5 pictograph keys.

Other standard features enhance weighing operations

- ★ Internal resolution 1/150,000
- ★ Display resolution up to 1/15,000
- ★ One touch/digital tare subtraction
- ★ kg/lb conversion
- ★ Power for four 350Ω load cells
- ★ Zero point recall function(subject to local regulation)
- ★ Digital filter with two setting levels: one is for standard weighing and the other for animal weighing(subject to local regulation)
- ★ Data output via RS-232C I/F
- ★ Two set point(HIGH/OK/LOW)
- ★ Capability of linking external remote display

Specifications

Analog section

- Input sensitivity-----0.4mV/V~4mV/V
- load cell excitation-----5VDC, 60mA(max)
- Speed of A/D conversion----20 times/sec~30times/sec.
- Number of load cells-----Max. 4 load cells(350Ω)

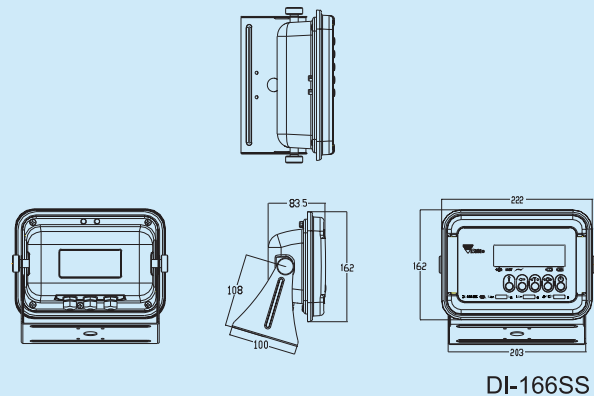
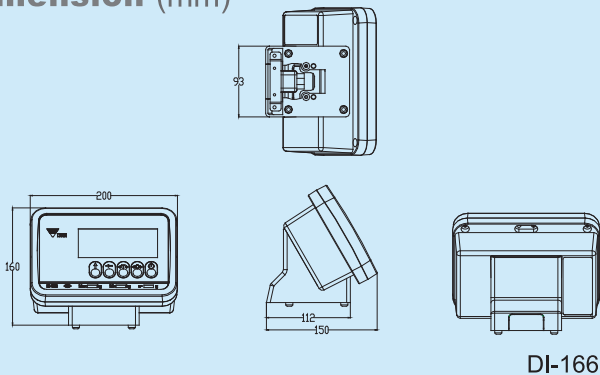
Digital section

- Display-----6 digits
- Display division-----1,2,5
- Decimal point location-----6 positions 0,00000 thru 000000
- Indicator marks-----"ZERO","NET","STABLE",
"LOW BATTERY","CHARGING"
"kg","lb","HIGH","OK"and"LOW"

General

- Power source -----AC 240/230/220V, 117/100V
(+10%,-15%)(factory preset)
Rechargeable battery(6V 1.2Ah)
- Power consumption-----18W(AC) ,0.7W(battery)
- Operating temperature---- -10 °C to 40 °C
- Operating humidity-----15~85% RH
- Net weight-----DI-166: 1.8kg/2kg(with battery)
DI-166SS: 2.9kg/3.1kg
(with battery)

Dimension (mm)



*Specifications are subject to change without notice.

TERAOKA SEIKO CO. LTD.
13-12 Kagahiro 5-chome, Chiba-ku,
Tokyo 136-8680, JAPAN
TEL: +81-3-5782-2131
FAX: +81-3-5782-2001
URL: <http://www.digitystem.com>
E-MAIL: info@hq.digi.co.jp

TERAOKA WEIGH-SYSTEM PTE LTD.
4, Leng Kee Road, #06-01, S/S Building,
SINGAPORE 159008
TEL: +65-6861-2011
FAX: +65-6861-3144

SHANGHAI TERAOKA ELECTRONIC CO. LTD.
TUNGUN INDUSTRY DEVELOPMENTAL ZONE,
JINGNAN COUNTY, SHANGHAI 201505
TEL: +86-21-57234886
FAX: +86-21-57233649
<http://www.digitystem.com>