

Scanvaegt Label Applicators

# Automatic and flexible labelling systems



**FAST, RELIABLE  
AND VERSATILE  
SOLUTIONS**

The Scanvaegt labelling systems automatically label both retail packs, boxes and pallets and also create overview and improved efficiency.

**AUTOMATIC LABELLING**

# Complete labelling solutions

Scanvaegt Systems provide solutions for labelling of retail packs, boxes and pallets. Our labelling solutions, which are based on decades of experience in the development and design of automatic systems for labelling, weighing, data capture, traceability, meet the requirements for optimal functionality, reliability, system integration and usability.

## Advantages of a Scanvaegt solution

- Automatic Labelling
- High application speed
- Flexible label placement
- Automatic height adjustment
- Efficient and reliable systems
- Robust industrial design



# Versatile solutions – strong design

Scanvaegt's label applicators are rapid, flexible and reliable. They operate at high speed and can position the labels on the top and front, as well as on the side or end.

The applicator solutions, having a robust design, are constructed for use in industrial productions and can also be used in environments with varying temperatures and high humidity.

## Flexible, scalable solutions

All applicator solutions can be integrated in existing packing lines, be used as stand-alone systems or be supplied as part of a complete line.

### **FUNCTION PERFECTLY IN ANY ENVIRONMENT**

The Scanvaegt label applicators can be put into use in environments with varying temperatures and high atmospheric humidity.

The Scanvaegt labelling solutions include systems for:

#### Product labelling

Automatic labelling of products and retail packs with fixed weight, variable weight or without weight indication.

#### Box labelling

Automatic labelling of cartons, boxes etc. Can incorporate weight control, barcode check, data verification and sealing.

#### Pallet labelling

Automatic labelling with EAN128 label on one, two or three pallet sides in variable height or fixed height.



## BOX LABELLING

# Scanvaegt SVA90 and SVA180

Scanvaegt SVA90 and SVA180 are robust applicator systems for automatic labelling of cartons, boxes, plastic boxes, etc., where the label is placed on the frontend, side or top.



Scanvaegt SVA90

### Simple, reliable operation

The applicator system prints and automatically applies the label on the carton in one smooth, controlled motion. The label can be applied in landscape or portrait orientation, which is chosen based on text content and the desired location on the box.

### Flexible system

A simple and flexible design makes it easy to integrate the applicator system into existing packing lines where it can be mounted in-line with or perpendicular to the conveyor belt, depending on the space conditions and ergonomics.

### Fast label application

The label applicators do not require any particularly large distance between the different packages – this, in conjunction with their high application speed, means that they can label and check up to 40 boxes per minute.

### Automatic height adjustment

The solution is available with automatic height adjustment of the applicator - this ensures that the label is correctly positioned when labelling boxes of varying height.

### Quality control of the label

The applicator system can be equipped with automatic quality control of both barcode readability and text content of the label – this prevents labelling errors and a consequent re-labelling of products.

### Large roll holder for many labels

The applicator system available with a large roll holder with space for an extra large label roll with a diameter of 300 mm. This reduces the number of label roll changes and saves time.

### Smooth and easy integration

Scanvaegt's applicator solutions are software-transparent – this means they can be supplied with a pre-programmed interface and thus be easily integrated into existing manual printer solutions without the intervention of overall IT systems or modification of existing printer software. The solutions may of course also be supplied with Scanvaegt's PlusFlex IT-system.

### Waterproof enclosure

The applicator system can be built into a stainless steel cabinet that protects the printer and labels. The cabinet can furthermore be equipped with a heater for use in cold production environments. The cabinet has a pneumatic opening and closing the door at the bottom of the cabinet, which provides easy access for thorough cleaning.

Scanvaegt SVA180

Scanvaegt SVA90



# Label applicator SVA60

SVA60 is a versatile and quick label applicator for labelling products as well as boxes. It has a simple, but rapid application function that can label up to 60 items per minute. The applicator has a flexible design and can apply labels on the side or top of cartons and boxes.



Scanvaegt SVA60



Automatic height adjustment of label application



Automatic quality control of the label

## Technical specifications

	SVA180 box applicator	SVA90 box applicator	SVA60 box applicator
<b>Label positioning</b>	On the product side, front or end	On the product side, front or end	On the product top or side
<b>Application principle</b>	Vacuum and blow	Vacuum and blow	Vacuum and blow
<b>Application direction</b>	180° turn - parallel to the print direction	90° turn - perpendicular to the print direction	Vertical
<b>Printer type</b>	PX4 or PX6	PX4 or PX6	PX4 or PX6
<b>Speed</b>	20-40 pcs./min.	20-40 pcs./min.	Up to 60 pcs./min.
<b>Free length, applicator arm</b>	250 mm (option up to 500 mm)	250 mm (option up to 500 mm)	Std. 70 mm or 170 mm
<b>Label size LxW</b>	From 40x40 to 160x200 mm	From 40x40 to 160x200 mm	From 40x40 to 160x200 mm
<b>Large roll holder</b>	Yes, max. diam. 300 mm	Yes, max. diam. 300 mm	Yes, max. diam. 300 mm
<b>Air supply</b>	4-8 bar	4-8 bar	4-8 bar
<b>Air consumption</b>	Approx. 8 l/app.	Approx. 8 l/app.	Approx. 8 l/app.
<b>Power supply</b>	240V~	240V~	240V~
<b>Dimensions</b>	440x250x1030 mm (without cabinet)	350x480x630 mm (without cabinet)	880x450x490 mm (without cabinet)
<b>Construction</b>	Anodized aluminium/stainless steel	Anodized aluminium/stainless steel	Anodized aluminium/stainless steel
<b>Temperature range</b>	5- 40°C relative humidity 20-90%	5- 40°C relative humidity 20-90%	5- 40°C relative humidity 20-90%

## PALLET LABELLING

# Scanvaegt SVA270S

SVA270S is an automatic pallet labelling system which prints and applies SSCC labels on one or two sides of the pallet while it is at the same position, or on three sides of the pallet with just 2 stops.

## Robust, quick and reliable

SVA270S has a robust, compact stainless steel design that is easy to integrate into existing pallet transport lines. The system uses an Intermec PX6i label printer, which is a proven industrial printer for thermo and thermal transfer printing.

## Variable, adjustable application height

SVA270S can be programmed with up to 32 different application heights, switchable for each pallet. The up/down area for applications could e.g be within 700 mm or 1400 mm or as required.

## Compact design

SVA270S has a compact design with a footprint of only 660 x 1190 mm. which provides minimal installation dimensions and makes it easy and simple to install the system into existing pallet transport lines. Despite its compact design, the system has room for a large label roll with a diam. of 300 mm., which reduces the number of label roll changes.

## Software-transparent system

SVA270S is a software-transparent system, which can either be supplied with Scanvaegt's own IT-system – PlusFlex – or a pre-programmed interface. This ensures a simple and smooth integration into existing printing solutions without the need for intervention in overall IT-systems or reprogramming of printer software.

## Quality control of barcode and serial number

SVA270S is available with various quality control systems – e.g. camera or scanner – which checks the readability of the barcodes on the label. The control system can also check that the labels on the pallet have the same serial number.



Scanvaegt SVA270S

## Fast and accurate operation

The applicator arm is driven by a servo motor, which enables the applicator arm to move in several different levels and angles – horizontally as well as vertically. The movement is smooth and swift with controlled motions, which ensures a fast and accurate label application.

## Gentle label application

The applicator arm is equipped with "Force Control", which decreases the applicator arm's thrust when it encounters the pallet – the label application is thereby performed in a controlled and gentle manner. SVA270S can therefore be used to label pallets with fragile items.



The servo motor ensures fast and accurate label application



Automatic label application  
on one, two or three sides  
– and at 32 different heights



## Technical specifications

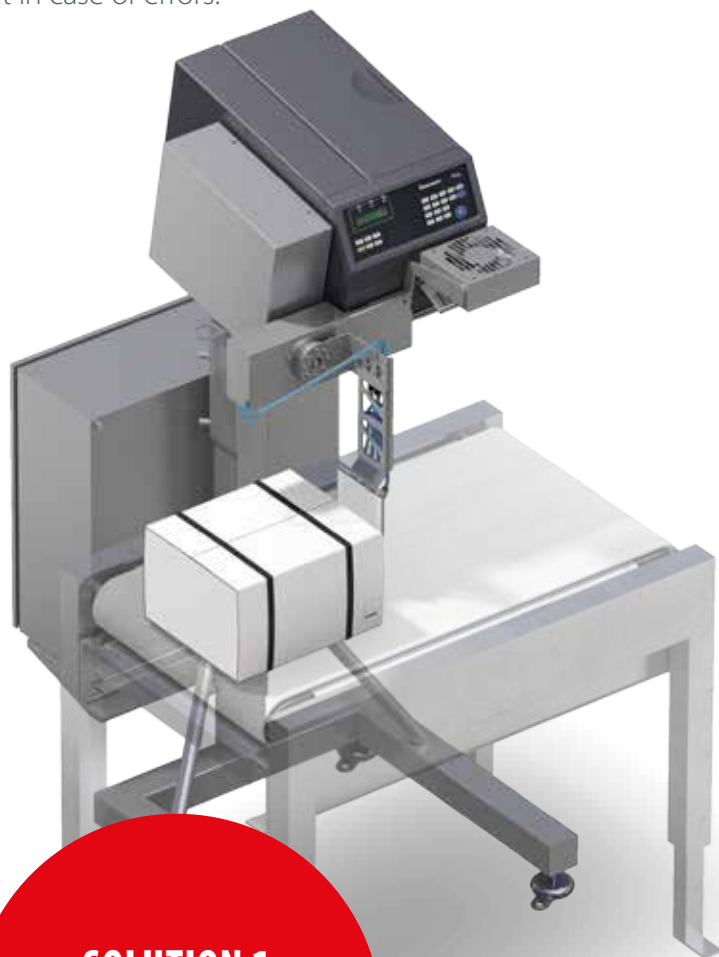


SVA270S	
Label printer	Intermec PX6i
Label size LxW	A5: ~150x200 mm standard
Label roll diam.	Ø 300 mm
Print direction	Vertical
Scale connection	Yes
Application principle	Force Control
Application direction	0° and 90°
Positioning technology	Servo motor control
Applicator movement	650 mm Std. - Optional 850 mm. Vertical: 0-1,400 mm
Air supply	6 bar
Air consumption	Approx. 8 l/app.
Power supply	240V
Power consumption	360 W + printer (360W)
Dimensions	2235 x 660 x 1190 mm (height depends on application height)
Construction	Anodized aluminum/stainless steel
Own weight	330 kg
Temperature area	5-40° C. Option: -5° C or -20° C

## FLEXIBLE SYSTEMS

# All solutions are scalable

Scanvaegt's applicator systems are flexible products that can be used as stand-alone, integrated directly into existing packaging lines and form a complete independent weighing and packing line. All solutions are scalable and can be expanded with additional functions, such as weight control, application of sealing label, control of label and barcode, printing of traceability label and product reject in case of errors.



### SOLUTION 1

Basic solution  
with label printer, applicator  
and floor stand.







## **SOLUTION 2**

Solution with weight control, label printer, applicator and barcode control.

## **SOLUTION 3**

Solution with weight control, sealing label, carton centering, label printer, applicator, traceability label, barcode control and product reject in case of error.

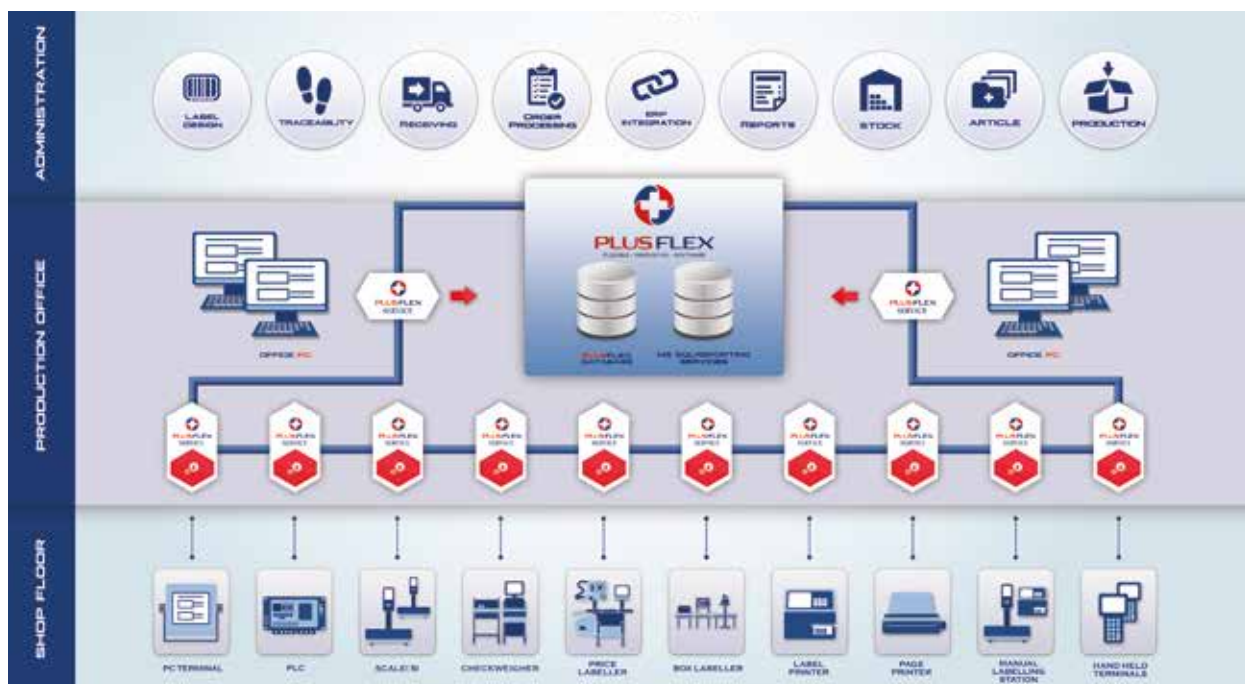
## PLUSFLEX IT-SYSTEM

# Efficient management and optimization

PlusFlex is the ideal system for managing packing lines, when handling packaged products in connection with weighing, packaging, labelling, stock and despatch.

The system is scalable and can be easily expanded when production grows and needs increase. It can also easily be extended with integration with ERP-systems and other software systems.

## Flexible modular structure



PlusFlex is modular and incorporates a number of standard modules, including:

### PlusFlex Order Packing

Automatic transfer of orders via central line terminal and management of labelling lines, scales, scanners, printers. Incl. automatic data-capture and registration of production figures against orders for statistics and/or transfer to ERP.

### PlusFlex Automatic Box Control

Automatic identification, control, registration and labelling of boxes and pallets on central packing line.

### PlusFlex Label Designer

Design of texts, graphics, logos, lines and frames as well as setup of barcodes and insertion of lines and frames.

### PlusFlex Traceability

Traceability on food backward to the supplier with info on the origin and lot, and traceability forward to customer and recipient.

### PlusFlex Office

Browser-based basic module with product database for setup of configurable indexes for labelling texts.

### PlusFlex Mobile Control

Solution for handheld computers for goods reception, raw material consumption, production order, inventory and despatch.

**SCANVAEGT LABELS**

# Labels for every job

Scanvaegt Systems has its own label printing company – Scanvaegt Labels – which has decades of experience in production of labels, tickets and hang tags.

This experience – in conjunction with our technical insight into labelling equipment – means that we can make labels that run smoothly

## Neutral labels for carton and pallet

We provide neutral, white thermo and thermo-transfer labels in a variety of formats – from small labels 25 x 25 mm for the large pallet labels and labels in A4 size. Available in both thermal and thermal transfer materials and with effective adhesive types.

## Separable traceability labels

The traceability labels, made of paper or tear-resistant plastic, have a separable design with more, identical labels on the same sheet. They can be torn off one at a time and placed in the individual cut product/portion. This will ensure that the traceability data follows the cut portion.

## Multicolour product label

We print up to eight colors at a time - incl. cold foil, silver and gold print - and can provide you with spectacular multicoloured product labels that can withstand moisture, frost or dust and will stick firmly on the product.

## RFID labels

We offer a variety of RFID labels with different technical specifications - including frequencies ranging from low to high to ultra-high - which can be attached and integrated in different ways.

**QUALITY LABELS  
REDUCING WEAR,  
PERFORMANCE AND  
MAINTENANCE**



## Market-leading supplier

Scanvaegt Systems is a Danish-owned company, established in 1932. We develop, produce and market weighing systems, labelling lines, inspection equipment, related IT-systems and traceability solutions. Scanvaegt Systems has its head office in Aarhus, Denmark, and subsidiaries in Norway, Sweden, Germany and Poland, and distributors in a number of other countries. The staff is of app. 200 employees.

Service and support are crucial factors in any type of production company and keywords for us. For this reason we place comprehensive service and support facilities at our customers' disposal. The Scanvaegt service package comprises: Preventive maintenance, training and instruction, installation and on-site repairs, spare parts, hotline & online support software service, verification and calibration.

