

ES 3150

Multifunction Scale
up to 150 kg



ES 1000

ES 2000

ES 3000

ES 4000

ES 5000

ES 6000

ES 7000

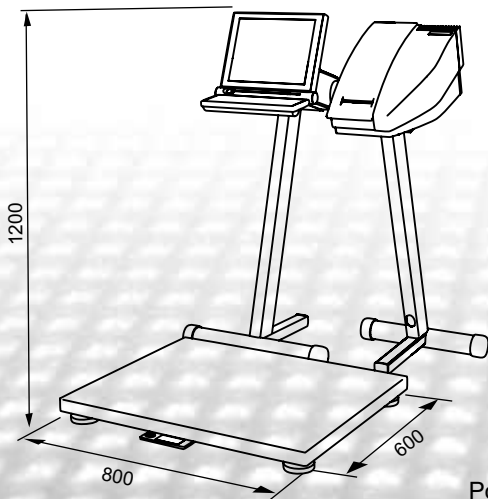
ES 8000

ES 9000

Model	ES 3150
Multiple Printer Operation	yes
Total Printer	yes
8 Dot/mm / 200 dpi	yes
12 Dot/mm / 300 dpi	yes
Label Path	110 mm
Maximum Printing Speed	100 mm/s
Print Head Service Life Optimised	no
Print Width	80 / 104 mm
Label Minimum W x L	22 / 37 x 15 mm
Label Maximum W x L	110 x 480 mm
Label reel core	76 mm
Label reel outside diameter	210 mm
Scale	static
Weighing Range	60 / 150 kg
Scale Increment	20 / 50 g
Scale	800 x 600 mm
RS 232	yes
RS 485	optional
Ethernet	yes
USB	yes
PS/2 Connection	yes
Parallel	yes
Connection Cable	3 m
IP Protection Load Cell	IP67
Options:	Roller Conveyor Floor Fixing Set Stainless Steel Stand
Memory	Hard Disc
Mains Voltage	190 V - 240 V / 50 - 60 Hz
Operating Temperature	-10 °C to +40 °C



ESMS: All processes can be managed interactively via a touch screen.



ESPERA-WERKE GMBH

Postfach 10 04 55 • 47004 Duisburg
 Tel. ++49(0)203/30 54 - 0 • Fax ++49(0)203/30 54 - 275
 info@espera.com • www.espera.com

795 501D / 0.0 / 2011-12 The photographs show specific machine configurations. Subject to technical modifications.