



# HC-700

High speed print and apply system  
100ppm



*Searching for a New Balance*

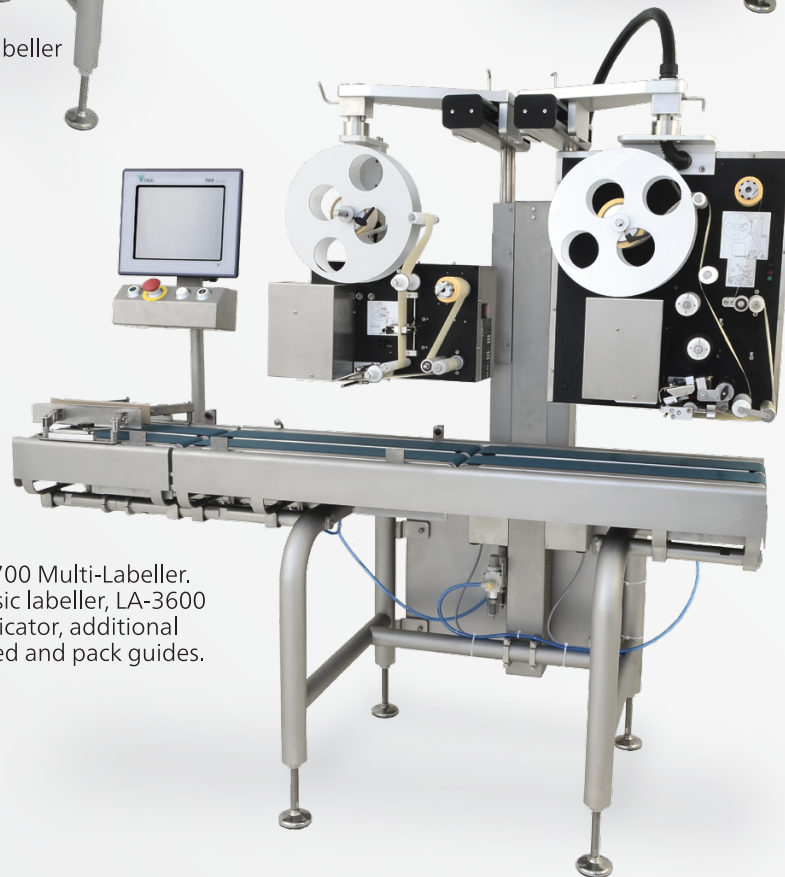
The HC-700 is a versatile automatic print and apply system with a single framed compact design operating at up to 100 packs per minute.



HC-700e Single Labeller  
Low Cost Labeller



HC-700 Top & Base.  
Signature Labellers, infeed  
conveyor with bar guides  
and gravity outfeed.



HC-700 Multi-Labeller.  
Classic labeller, LA-3600  
applicator, additional  
infeed and pack guides.

### HC-700e Single labeller

Compact and cost effective, the HC-700e provides the perfect platform for new ventures as well as easy integration into existing production lines and where space is a premium.

### HC-700 Top and Base Labeller

The HC-700 Top and Base labeller offers the flexibility to print and apply labels to both the top and underside of each pack simultaneously.

### HC-700 Multi-Labeller

The HC-700 Multi-Labeller Twin Top variant can print and apply two labels to each pack or can be used to label packs alternately maximising the efficiency of the system.



## Colour Touch Screen

- ✓ Full Colour Touch Screen
- ✓ Clear, Concise Operation Display
- ✓ Multi-lingual Encoding
- ✓ Built-in Label Designer
- ✓ Flexible System Integration
- ✓ Remote System Control

## Performance

Capable of speeds of up to 100 packs per minute, the HC-700 print and apply systems prove efficient, durable and suits a variety of processing plants.

The HC-700 is supplied with a choice of labellers, printers and applicators including the Signature, Classic, LC and Cassette labellers, the LP-800 printer and the LA-3600 applicator.

## Diversity

A range of speciality conveyors and sensors can be incorporated on the HC-700 for applications where irregular shaped products and packs require processing.

Additional motor driven or gravity infeed and outfeed conveyors can be supplied to suit various product and our selection of pack guides ensuring a fluid feed and accurate transition through the line.

The flexibility of the HC-700 extends to multi-labeller systems enabling labeller swapping and single or multiple labels per pack.

## Easy Maintenance

The sealed resistive touch screen and grade 304L stainless steel tubular frame, minimise dirt traps, promote easy cleaning and elevate hygiene.



DIGI Signature Base Labeller.  
High Speed Labeller to print and apply labels to underside of each pack.

## Key Features

- ✓ Up to 100ppm+
- ✓ Full Colour Touch Screen
- ✓ Single Frame Design
- ✓ Tubular Frame Elevating Hygiene
- ✓ Left-Right or Right-Left Build
- ✓ Multiple Labellers
- ✓ Base Labelling
- ✓ V-decks Option
- ✓ Pack Guides
- ✓ Total Printing
- ✓ Networking
- ✓ Data Collection
- ✓ Remote Programming



Twin top Signature Labellers

# HC-700 Specifications

## Performance

Classification	Automatic
Packs Per Minute	Up to 100 <small>Dependant on pack size*</small>
Pack Size	80-300mm Long 40-250mm Wide 180mm High
Sensor Orientation	Horizontal Angled <small>*Optional</small>
Flow Direction	Left to Right Right to Left

\* Higher Speeds attainable

## Requirements & Peripherals

Power supply	220-240V AC 50Hz 105-115V AC 60Hz
Air supply	4-6 bar 50-300 ltrs/min
Environment (operational)	0-40°C 32-104°F
Communications	Ethernet USB
Conveyor Length	910mm (Single or Top & Base) 1753mm (Twin top)
Powerlift	Powered labeller positioning
Networking	Online Programming Online Monitoring Back Office Data Collection

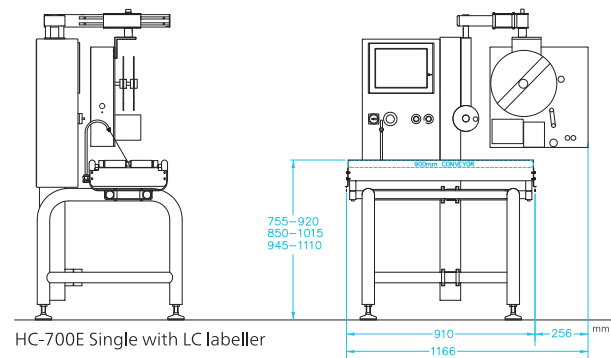
## Operation

Screen	12.1" Colour Touch Display 15.2" Colour Touch Display <small>*Optional</small>
Software	Embedded Application
Operating System	Windows® OS
Language	Multi-lingual Unicode
Security	Hierarchical Password Protection Programmable User Limitations
PLU Selection	Pictorial Numerical
Label design	Built-in Application

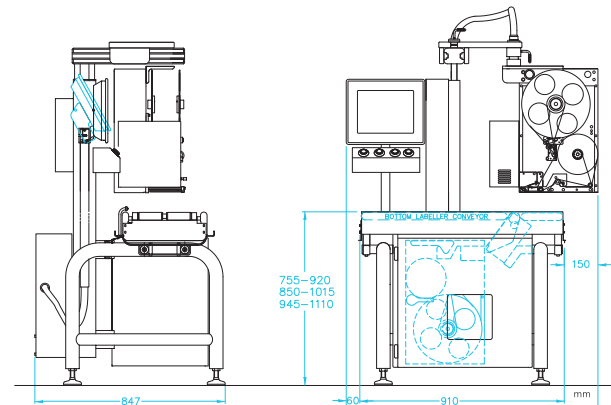
## Additional Options

Pack Guides	Tall Guides Infeed Bar Guides Outfeed Rod Guides
Labellers	Signature Classic * Linerless Cassette LP-800 Multiple Labellers Bottom Labeller Side Labeller
Conveyors	V-decks Additional Infeed Gravity Infeed Gravity Outfeed
Rejectors	RJ-700 RJ-700i Sweep Arm
Third Party Interface	Barcode Reader Metal Detection

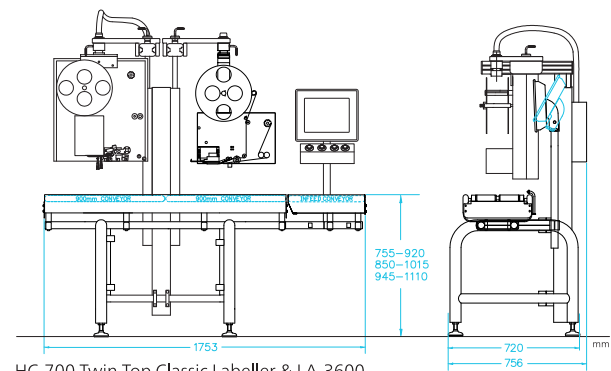
\* Standard Configuration



HC-700E Single with LC Labeller



HC-700 Top & Base Signature Labellers



HC-700 Twin Top Classic Labeller & LA-3600

## Classic Labeller

Classification	Automatic
Application Speed	Up to 100 packs per minute <small>*Dependant on label size</small>
Print Speed	up to 260mm/sec
Applicator Options	Airbox Touch Concave Shoe Stamp
Print Head Width	80mm @ 300dpi 108mm @ 300dpi
Print Method	Direct Thermal Thermal Transfer
Print Process	Back Feed
Label Orientation	Top Application
Application Direction	Left to Right Right to Left
Label Size	W~30mm-120mm H~28mm-150mm
Max Label Roll	300mm (diameter)

Custom options available, please contact sales@uk.digi-group.com



**DIGI EUROPE Ltd.**

DIGI House, Rookwood Way, Haverhill, Suffolk. CB9 8DG. UK  
tel: 44 (0)1440 712175 email: sales@uk.digi-group.com  
www.digisystem.com/uk

