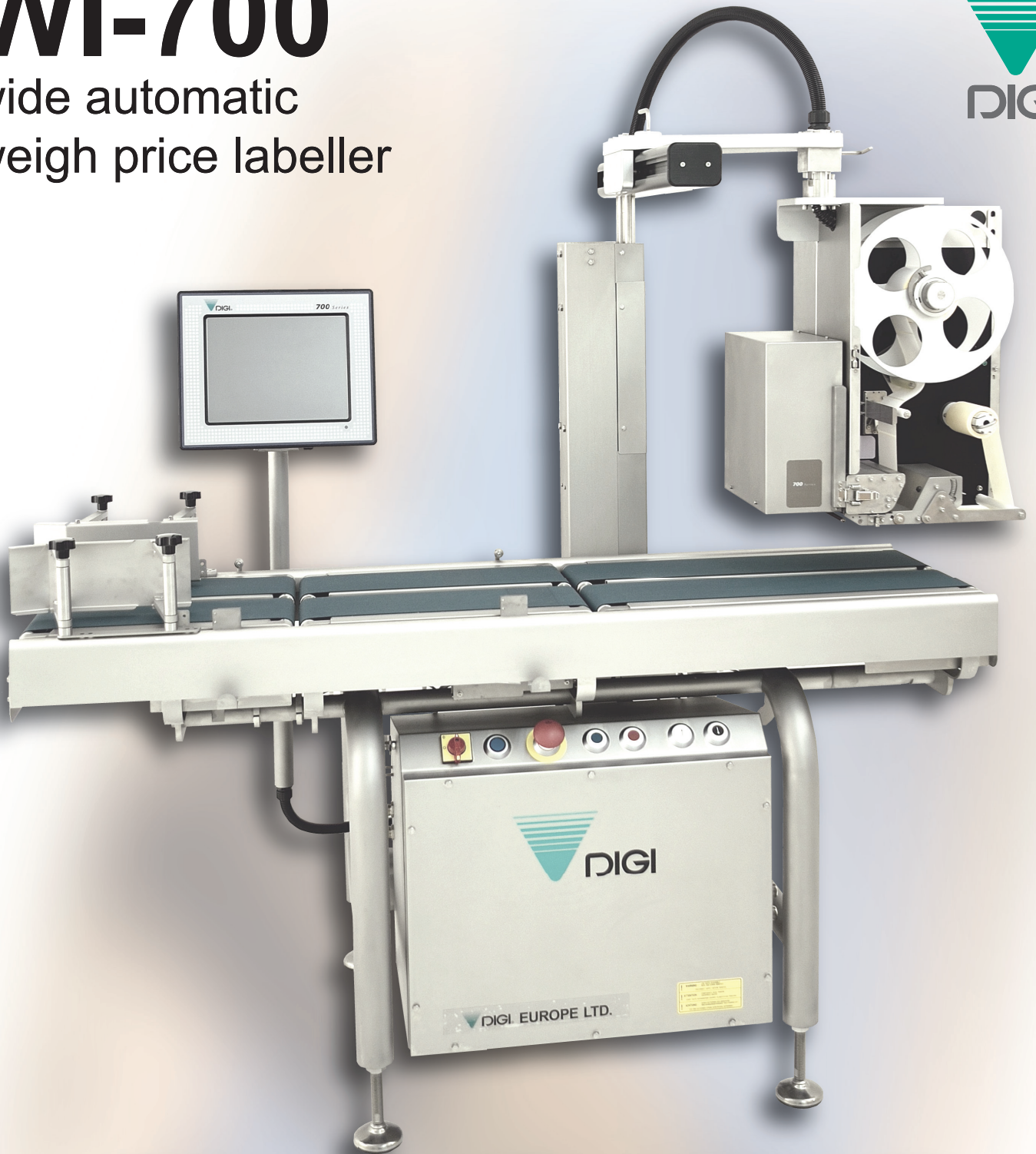


WI-700

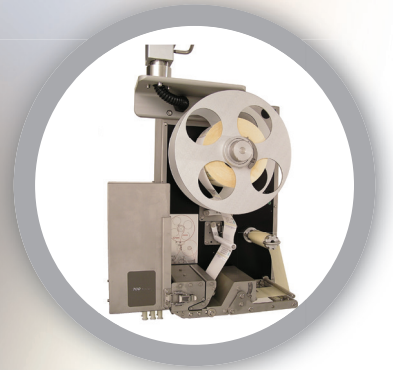
wide automatic
weigh price labeller



Industrial PC based system offering flexible integration with bi-directional communications



Quick release conveyor system offers durability, stability and ease of cleaning and replacement



High Speed labeller fitted as standard. (Classic/Cassette optional)

*The WI-700 is provided as a 3 conveyor machine as standard (machine pictured presents additional infeed, many other variants available.)

The Digi WI-700 is a wide, automatic weigh price labeller using embedded software on a Windows® operating system with a single framed design operating at up to 70PPM.

Using the latest technology available, the architectural design of the system provides full integration with existing Digi systems as well as suitability to new production lines. Bi-directional communications in XML format provides back office server data collection and is complemented by online programming and line monitoring. Colour touch screen for quick and easy programming and PLU selection.

With the High Speed labeller as standard, the WI-700 has been designed to be compatible with a variety of Digi labellers, total printers, conveyors, guides and rejectors as well as external devices such as metal detectors, sleeves and scanners.

Machine Options



WI-700 Single

The WI-700 is a compact 3 conveyor, single framed weigh price labeller. Capable of processing product up to 350mm wide at speeds of up to 70 packs per minute, the WI-700 proves effective for most production lines. Quick release conveyor system is supplied as standard.



WI-700 Top and Bottom

The modular design of the 700 series allows top and bottom labeller systems to be constructed while maintaining the wide conveyor belts of the WI-700. This design benefits from the flexibility to label both the top and under side of each pack simultaneously.



WIL-700 Long infeed & scale

The WIL-700 is a long scale variant of the modular WI-700 with the infeed and scale decks at 650mm. This allows the processing of products up to 475mm long at a fixed speed of up to 37ppm. The WIL-700 has a 15kg/5g scale capacity.

Additional Options*

- Additional infeed/outfeed kit to handle larger packs and obtain greater pack spacing.
- A range of adjustable pack guides, including rod, scissor and blue polymer.
- A bolt-on drop-flap reject conveyor to support product checkweighing, other options available.



Specifications

Power: 220-240V AC 50Hz 105-115V AC 60Hz

Air: 4-6 bar 50-300 ltrs/min

Capacity: 6kg/1g 12kg/2g

Pack Speed*: up to 70ppm

* dependant on pack and label size

Pack Size: L 80-300mm W 40-350mm H 180mm

Pack Guide: Adjustable guides

HS Print Head: 80mm or 108mm(opt) @ 300dpi

HS Print Speed: 260mm/sec

Label Size: W 30mm-120mm
H 28mm-150mm

Label Roll: Diameter 300mm

Label Core: Diameter 76mm out or inside wound

Applicator: Air Box Type or Touch Type

Other: Powerlift (power assisted labeller positioning)

Optional Labeller

Classic Labeller

Print Head: 80 or 108mm @ 300dpi

Print Speed: 260mm/sec

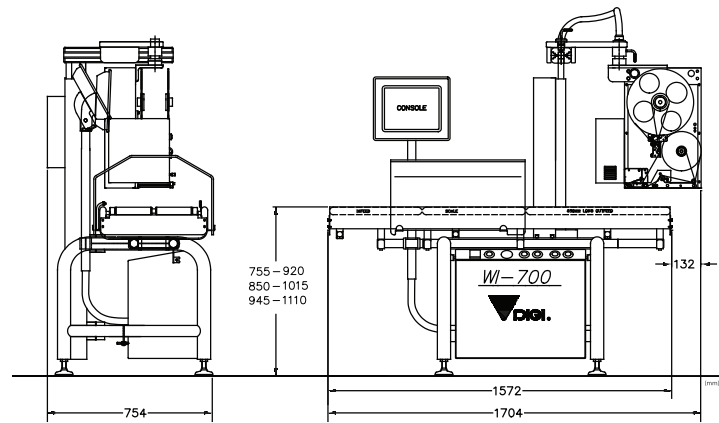
Label Size: W - 30 to 120mm
H - 28 to 150mm

Label Roll: Diameter 300mm
(Core diameter 76mm out or inside wound)

Applicator: Concave/Air/Touch

T/Transfer: Yes

Backfeed: Yes



* Custom options available, please contact sales@digico.uk

Issue 1. Document subject to change without notice (E.&O.E) ERRORS AND OMISSIONS EXCLUDED.

