



RGW-560IIS

Product Strap Banding Machine with Scale



Searching for a New Balance

Specifications/Dimensions

Banding

Package size Width: 50-240mm(2.0-9.4 inches)
 Height: 10-150mm(0.4-5.9 inches)
 Depth: 80mm or more (3.1 inches or more)

Banding speed Max: 12 packages/min.

Note: The banding speed may vary depending on the length of the band format.

Printer

Banding film type OPP
 Printing method Thermal transfer
 Dot density 11.8dot/mm(300dpi)
 Film width 60mm
 Printing area Max. 300mm (Between 95mm to 395mm from top of banding label)

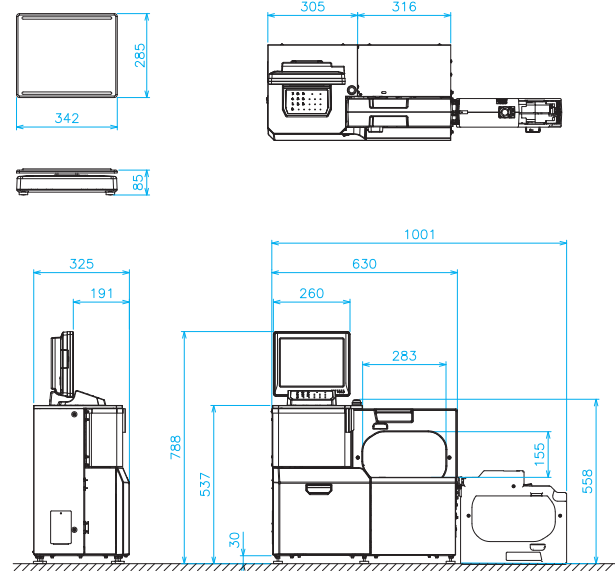
Operation console

Display panel TFT LCD color (10.4 inches) touch panel
 Operation keys Mechanical keys and touch panel
 Memory for programmable files 18GB

General

Power source and AC 100-120 or 220-240V, 50/60Hz
 power consumption 280W
 Net weight • RGW-560II Approx. 41.4kg
 • Scale platform 3.8kg
 Operation humidity 40 to 80%RH with no condensation

Interval type	Multi-interval	
Capacity	Max. 3/6kg	Max. 6/15kg
Scale interval	e=1/2g	e=2/5g
Weighing range	20g-6kg	40g-15kg



Easy to operate



Package Sample



*Specifications are subject to change without prior notice.

TERAOKA SEIKO Co., Ltd.

13-12 Kugahara 5-chome, Ohta-ku,
 Tokyo 146-8580 JAPAN
 www.digisystem.com

