

Scanvaegt Industrial Scales

The stronger weighing solution



The Scanvaegt industrial scales are highly reliable and efficient control tools, capable of handling a number of different jobs quickly and effectively, thus helping to increase productivity and yield.



Powered by Innovation...

Scanvaegt Systems A/S is a market leading manufacturer and provider of solutions for weighing, portioning, labelling, packing, inspection and data capture and processing.

Manufacturer, supplier and service partner

The unique combination of continuous innovation and decades of experience makes Scanvaegt Systems a competent supplier and dedicated business partner, who is always at the forefront of the latest processing technologies.

At Scanvaegt Systems we allocate a major part of our resources into R&D, which is conducted in close cooperation with customers and consultants. This, combined with our in-depth knowledge of the food industry, ensures a product range of the highest quality, which is always targeted at our customers' specific requirements while complying with applicable regulations.

Scanvaegt Systems, established in 1932, have more than 200 dedicated and highly proficient employees, who design advanced technical products, IT-systems and unique solutions for weighing, portioning, labelling, inspection and packing.

Scanvaegt Systems have a head office in Aarhus, Denmark, subsidiaries in Scandinavia and Northern Europe, and distributors in a number of other countries.

...and decades of experience!

The Scanvaegt Systems industrial scales are based on the strong combination of decades of experience and innovative technology.

The Scanvaegt industrial scales are designed for improving quality, efficiency and profits. They comprise a wide range of bench and floor scales, all of which are constructed to withstand rough use and thorough cleaning in challenging industrial environments.

Made in stainless steel and having a user-friendly operator interface as well as an easy-to-clean design, the Scanvaegt industrial scales provide a highly reliable and efficient control tool, capable of handling a number of different jobs quickly and effectively, thus helping to increase productivity and yield.

Key Benefits:

- Accurate and fast registration
- Extremely reliable operation
- Durable long-life design
- Prolonged uptime
- Easy to clean
- Optimum hygiene standards



STURDY INDUSTRIAL STANDARD

A high degree of reliability, precision and usability is the hallmark of the Scanvaegt scales.



Bench Scales 1200 Series

A sturdy and easy to clean design of the highest Danish industrial standards makes the new 1200 Series bench scales the most superior weighing solution in the food industry today.

The scales for any type of harsh environment

The Scanvaegt 1200 Series comprise robust and reliable bench scales, constructed in AISI 316 stainless steel, which can withstand use in even the harshest of industrial environments.

The bench scales have a unique overload protection and anti-shock system, which protects the load cell and thus ensures a high degree of accuracy, reliability and durability.

The 1200 Series can be placed anywhere in a factory and put into use in both dry packing departments and wet production areas.

Optimum hygiene standards

The bench scale has a fully-welded construction in stainless steel with no visible weldings, seams or crevices, allowing for thorough cleaning and maintaining high hygienic standards.

Comprehensive functions

With the Scanvaegt SV10 weighing indicator connected, the 1200 Series can tackle various jobs, including:

- Checking that a product is within the pre-defined limits for under- and overweight
- Packing products to target weight with +/- tolerances
- Grading products by weight in up to 9 groups
- Automatic weighing, integrated in packing-lines

The 1200 Series can be connected to a number of different weighing indicators and industrial computers, and hooked up to networks, printers and additional equipment, depending on the job and individual requirements.



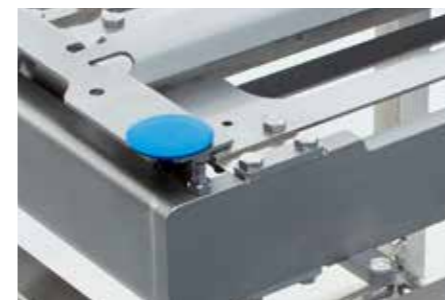
Scanvaegt 1200 Series and SV10 weighing indicators

Solid design

The 1200 Series has a sturdy design with a hermetically sealed high-precision load cell in stainless steel, and an overload protection and anti-shock system, which protects the load cell and ensures high reliability and maximum up-time.



Hermetically sealed, stainless steel load cell



Heavy rubber shock-absorber under plate



Anti-shock system protects the load cell



Overload protection in every corner

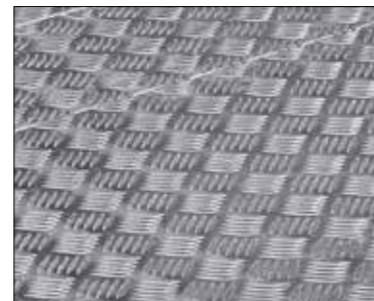


Technical Specifications

Model	1205 SP	1210 SP	1230 Flex
Dim. L x W x H	250 x 300 x 80 mm	300 x 400 x 80 mm	500 x 600 x 170 mm
Weighing capacity			
3/6 kg	●		
6/15 kg		●	
15/30 kg		●	
30/60 kg			●
Division			
1/2 g	●		
2/5 g		●	
5/10 g		●	
10/20 g			●
Loadcell type	Single point	Single point	Flexure



Gas spring makes opening load plate easy



The floor scales are available with tread plate

Floor Scales 3800 Series

The 3800 Series floor scales are designed for use in both wet and dry production areas and can handle several jobs, e.g. control weighing, dosing and other automatic weighing jobs.

The scales are made from a solid fully-welded construction in stainless steel and particularly robust load cells, which ensures optimum precision, maximum reliability and high hygienic standards.

The floor scales can be placed on the floor, installed in a pit or integrated into a production line.

The type for installation in a pit can be equipped with overload protection, which can be integrated into the pit frame thus protecting the load cells against sudden impact or bumps, from e.g. fork-lift trucks. The floor scales placed on the floor can be provided with ramps for easy access.

The 3800 Series are available with one fixed load plate or with a split hinged load plate. The split load plate is fitted with a gas spring, making it possible for just one person to open the load plate - this facilitates cleaning, maintenance and repair.

The floor scales are made of stainless steel or galvanized steel and are also available in AISI 316 acid-resistant steel.

Accessories

Access ramp WxL: 1250x800 mm, 1500x800 mm and 1250 x 1200 mm (with 4° slope).

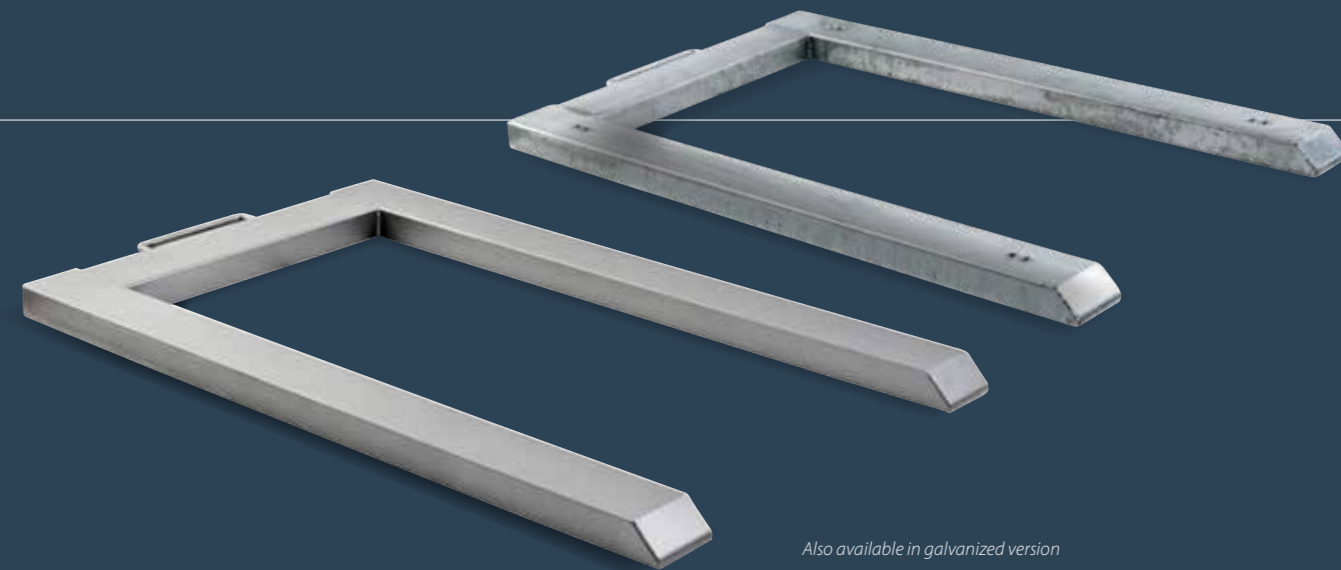
Pit frames for all scale dimensions.

Overload protection for scales with weighing capacity 1,500 kg.

Technical Specifications

Weighing cap.	Division	1500 x 1250 x 85 mm	1500 x 1500 x 85 mm	1800 x 1800 x 120 mm
600 kg	200 g	●	●	
1500 / 2000 kg	0,5 / 1,0 kg	●	●	●
3000 kg	1 kg	●	●	●
Load plate	Stainless steel, 5 or 6 mm	●	●	●
	Stainless steel, 8 mm		●	●
	Stainless steel, 6 mm, split	●	●	
	Tread plate, 5/7 mm	●	●	
	Tread plate, 7/9 mm	●	●	●

Available in other dimensions, weighing capacities and finish.



Also available in galvanized version

Pallet Scales 3100 Series

The 3100 Pallet Scales are the most compact solution for weighing pallets. They take up minimum space and are therefore easy to place and relocate, where needed.

The pallet scales are the ideal solution for weighing pallets and other weighing jobs that may include data-capture, print-out of pallet labels and scanning data in-/out.

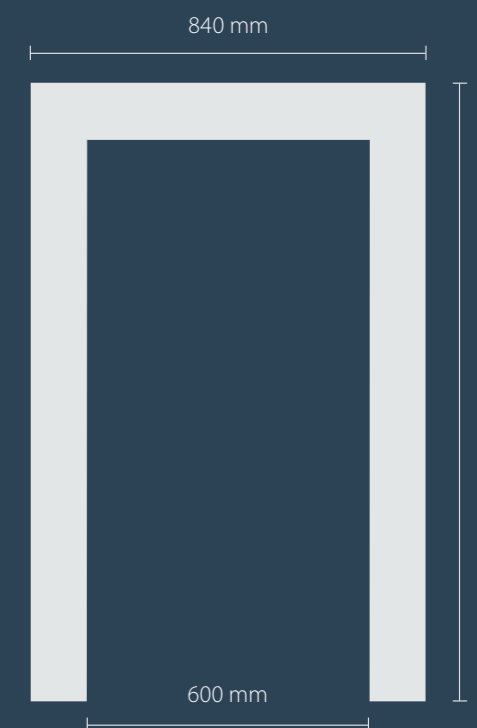
The 3100 Series, available with weighing capacities ranging from 150 kg/50 g to 3,000 kg/1 kg, can be used as stand-alone scales or can be equipped with motorised driven roller conveyors and integrated into production or despatch lines.

The fully-welded design with all cables inside the construction and no corners prevents dirt and bacteria from collecting and also facilitates efficient cleaning.

The pallet scales are made of stainless steel or galvanized steel. They can be supplied with nose wheel, mounted at the tip of the beams, for easy manoeuvring by just one person.



Nose-wheel for easy relocation of the scale



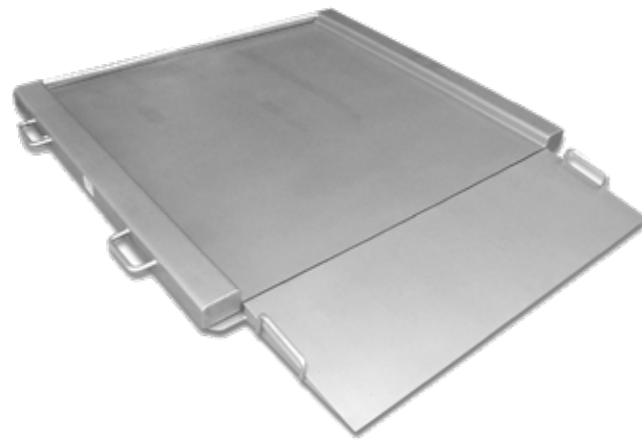
Highlights

- Fully-welded construction without corners prevents dirt traps and bacteria collecting
- Frame base and load cells made of AISI 304 stainless steel
- Cables inside the construction are protected against damage
- Hermetically sealed load cells are IP67-waterproof
- The pallet scales in stainless steel withstand hosing-down

Dimensions

W x L x H: 840x1320x80 mm with 120 mm wide beams. Option: 200 mm wide beams and total width 1,000 or 1,200 mm.

Available in other special dimensions.



Also available as "drive-through" scale



Hinged load plate for easy, efficient cleaning

Vemag Scales 3220 Series

The Vemag Scales are robust, ergonomic floor scales with an extra low construction, designed specifically for weighing vemag wagons.

These compact scales take up very little space and a very low height of 35/45 mm, making it easy to push a heavy vemag wagon onto the scale, using an access ramp.

The fully-welded construction with cables inside and no corners eliminates bacteria collecting and dirt traps, facilitating thorough cleaning and maintaining high hygienic standards.

The solid design in stainless steel and the hermetically sealed loadcell with IP67 protection rating ensure high reliability and a long life.

The vemag scale can be equipped with wheels on one side, making them easier to move for just one person.

The scales are available as "Drive-through" scale without back stop, allowing for easy handling of wagons, manoeuvred onto and off the scale via access ramps.

As an option the vemag scales are available with a hinged load plate, which can be tipped upwards, allowing for free access to

the floor under the scale for cleaning. The load plate has a gas spring, making it easy for one person to lift up the load plate and to carry out cleaning, maintenance and repair.

Strong features

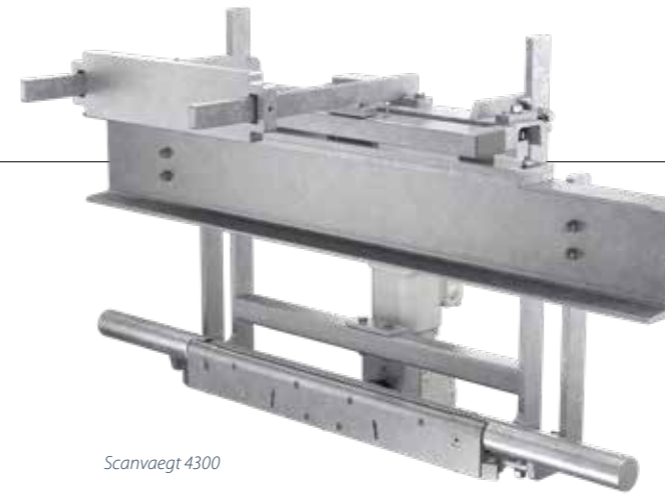
- Fully-welded, easy-to-clean construction
- Frame and load cell made of AISI 304 stainless steel
- Cables inside the construction are protected against damage
- Easy lifting-up the load plate by means of gas spring
- Hermetically sealed, IP67-protected load cells
- Wheels, mounted on one side (option)
- Withstands thorough hosing-down

Accessories

Access ramp LxW: 300 x 685 mm.

Technical Specifications

Weighing cap.	Division	685 x 685 x 35 mm	850 x 850 x 45 mm	1000 x 1000 x 45 mm
300 kg	100 g	●		
600 kg	200 g		●	●
Load plate	Fixed	●	●	●
	Hinged	●	●	●



Scanvaegt 4300



Scanvaegt 4200

Overhead Track Scales Series 4200 & 4300

The robust 4200 and 4300 Series overhead track scales are designed specifically for use in abattoirs for weighing products hanging from a track and can withstand intensive use for years on end.

The overhead track scales are very reliable and have a high degree of accuracy thanks to its special weighing technology for swinging loads, which compensates for the product's possible movement, enabling the scale can to weigh precisely at the same time.

The scales are easy to install in existing conveyor systems And have a sturdy, simple construction of hot-galvanized steel, an IP67-protection rating, ensuring high reliability and making them easy to clean.

Technical Specifications

		4200	4300
Weighing method	Static	●	-
	Dynamic	-	●
Conveying method	Manual	●	-
	Automatic	●	●
	Motordriven*	-	●
Weighing capacity	150 kg/50 g	●	●
	300 kg/100 g	●	●
	500 kg/200 g	-	●
	600 kg/200 g	●	-
	1.000 kg/500 g	●	-
Sliding rail length	300 mm	●	-
	600 mm	●	-
	810 mm	-	●
	900 mm	●	-
	1200 mm	●	-
Sliding rail diam.	Ø48 mm	●	●
	Ø60 mm	●	●

* 5/9/16 m per minute

4300 overhead track scale

Automatic-dynamic overhead track scale with a motor-driven chain drive, which handles 1000-1100 weighings/hour.

Available with a weighing capacity of 300 kg/100 g, 600 kg/200 and 1,000 kg/500 g.

4200 overhead track scale

Automatic-static overhead track scale with a capacity of 400-500 weighings/hour.

Available with a weighing capacity of 150 kg/50 g, 300 kg/100 g and 600 kg/200 g.

Strong features

- Robust and ingenious steel construction in hot-dip galvanised finish with an IP67 rating
- Two weighing cells per overhead track scale
- Made with special weighing technology for swinging loads
- EU type-approval



Weighing indicator SV10

Scanvaegt SV10 is an extremely fast and comprehensive weighing indicator, designed with focus on high efficiency and optimum usability.

Extensive processing power, triple-weighing-range and numerous programming possibilities makes the SV10 an extremely fast, reliable and flexible weighing indicator, which can be connected to all Scanvaegt bench, floor and pallet scales.

Fast weight registration

The stabilization software makes the weight registration very fast - it's updated 500 times per second - and also very stable, even where there may be vibrations from other equipment that would otherwise affect the stability of the weight registration.



Up to 99 different product programmes



Fast registration and very clear weight display

Smart Web Interface

The SV10 has a web interface, making it easy to access online from a central office when setting up communication interfaces, products, registration criteria and digital in-/output functions on all weight indicators.

Flexible and functional

- Stainless steel cabinet with IP67 withstands use in both wet and dusty environments
- Handles jobs like check weighing, portioning to exact target weight and +/-weighing
- Up to 99 different product programmes provide fast product change at +/-weighing
- Alibi-function integrated in the indicator
- Large, easy-to-read weight display with red LEDs ensures precise reading - even in direct sunlight
- 100% subtractive tare function allows for accumulating tare in the entire weighing range
- Remote control of functions, e.g. Auto-tare, Delete tare and weight registration via PLC etc.



The sharp LED-display, easy-to-understand functions, simple operations, sturdy steel cabinet with a user-friendly compact design makes the SV10 a most efficient operator tool.



Production terminal pt9000 MK4

The Scanvaegt pt9000 MK4 is a high-speed, powerful and user-friendly industrial computer with an 18.5" touch screen for handling tasks like production management, order packing, dispatch, data collection and monitoring.

The pt9000 MK4 has a high-speed Intel 10th Gen CPU, providing high processing power, and is Windows11-certified. Despite this, the terminal still uses minimal energy and won't overheat, which makes it an eco-friendly and operationally secure solution.

The terminal comes with Windows 10 IoT and has many potential applications. Together with the high-speed processor, 8GB RAM, 128 GB SSD hard drive and 6 USB ports, this makes the pt9000 an effective and flexible process terminal.

User-friendly and compact

The terminal's large 18.5" screen has a clear, high-resolution graphic display. Together with a precision touch function, this makes it quick and easy to operate. The cabinet is

designed with a convenient servicing hatch, providing quick access for technical maintenance.

The compact terminal takes up minimal space and can be mounted on a wall or table, either using Scanvaegt's stainless steel fasteners or standard VESA100 installation accessories.

Robust design

The Scanvaegt pt9000 MK4 has an operationally secure industrial design with a water-tight IP66-rated steel cabinet, meaning it can withstand use in all industrial environments as well as thorough cleaning.

Accessories



Indicator columns for Bench scale 1200 Series



Wall mount for SV10 weighing indicator



Roller conveyor for Bench scale 1210 and 1230



Floor stand for Bench scale 1230



Floor stand with two wheel for Bench scale 1230



Motor driven conveyor for Bench scale 1230

Market-leading supplier

Scanvaegt Systems is a Danish-owned company, established in 1932. We develop, produce and market weighing systems, portioning solutions, labelling lines, inspection equipment, related IT-systems and traceability solutions.

Scanvaegt Systems has its head office in Aarhus, Denmark, and subsidiaries in Norway, Sweden, Germany and Poland, and distributors in a number of other countries. The staff is of app. 200 employees.

Service and support are crucial factors in any type of production company and keywords for us. For this reason we place comprehensive service and support facilities at our customers' disposal. The Scanvaegt service package comprises: Preventive maintenance, training and instruction, installation and on-site repairs, spare parts, hotline & online support software service, verification and calibration.

