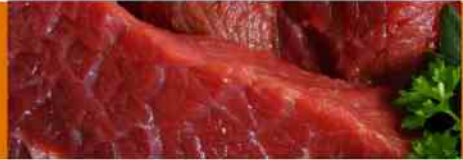


# ES 7700 C-Labeller



- ES 1000
- ES 2000
- ES 3000
- ES 4000
- ES 5000
- ES 6000
- ES 7000**
- ES 8000
- ES 9000



# C-Labeller

Fully automatic weigh price labelling over three sides

- Compact and space-saving design
- Design housing manufactured mainly from stainless steel
- Product pre-selection memory (no down time for article change)
- Automatic adjustment to the package and label dimensions
- Around the edge, pressed under the edge, exactly placed labels





The package is guided precisely by the lateral guidings.



The label is applied automatically and precisely over the package edge and is pressed under the edge.



The machine labels with high speed and high flexibility.

The C-Labeller can be integrated in existing machines of the ES 7000 series with drum printer without additional space.

The package is guided during the complete C-Labeling process. All settings, as for all machines of the ES 7000 series, can be stored directly under the article by using the packaging program. Therefore no manual settings are necessary – even not for different package or label dimensions.

The automatic label press on arm applies the labels exactly around the package edge and presses the same under the edge. Damages on the labels during the transport are herewith excluded.

Fast label change and the use of normal thermal and thermal transfer label are for this system self-evident, in contrast to other systems.

Arguments for the integrated solution are in comparison to external combinations the need of only one control and one software for the complete line. This is very important for the integration in online systems.

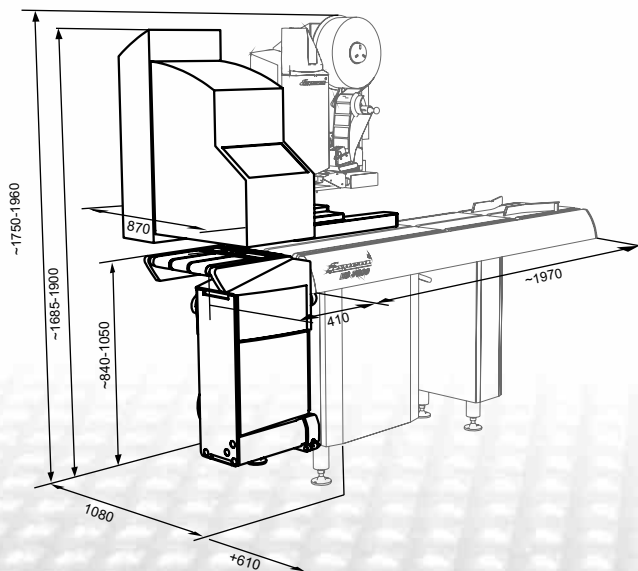


Model	C-Labeller	
Label Size	min.	L 140 x W 40 mm
	max.	L 500 x W 107 mm
Printable Size	Width	104 mm
	Length	over the complete label length
Print Speed	up to 300 mm	
Labelling Performance	Depending on label length and package attributes	
Speed Fields	Possible in the not printed area	
Package Guiding	during the whole labelling process by driven lateral guides	
Adjustment to the package height and width motorised, controllable automatically by the packaging program/PID number. Label positioning and applying the label over the pack edge are controllable automatically by the packaging program/PID number.		
Required Space	No additional space necessary	
Compressed Air	3 bar	
Package Size	min.	L 100 x W 120 x H 20 mm
	max.	L 370 x W 280 x H 120 mm
For details of the main model please refer to the according brochure.		
Using the C-Labeller limits the package height for the main model to 135 mm.		

ESPERA's C-Labeller contributes to the value as well as to the uniqueness of your products. The big label offers a wide range for design and information and creates herewith advantages in competition.



New possibilities for your product presentation:  
Stacked packages with a high recognisability of the label information.



#### ESPERA-WERKE GMBH

Postfach 10 04 55 • D-47004 Duisburg  
Tel. ++49(0)203/30 54 - 0 • Fax ++49(0)203/30 54 - 275  
info@espera.com • www.espera.com