



ES 3000

Manual Price Labelling

- ideal for low capacities and small packaging operations in the food and non-food sectors
- the right solution for packs which can not be labelled automatically
- increases efficiency in the organisation of the packaging process, e.g. for mixed cartons



ES 3150



ES 3015



ESD 104
large reel of labels
with 210 mm diameter



ES 3060

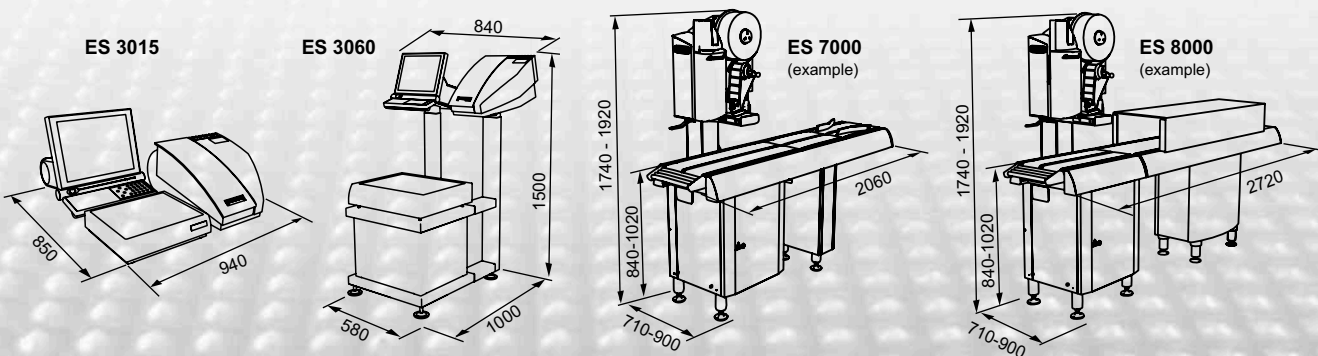
The ES 3000 offers a rational and flexible operation and maximum Price Labelling convenience wherever a manual solution is required – in both the food and the non-food sectors. The highly compact, robust machine made in stainless steel takes up little space and fits easily into any production environment.

The large label reel with a diameter of 210 mm minimises time lost through reel changes. The ES 3000 is particularly user-friendly with clear operating elements, a touch screen layout in the latest TFT technology and avoidance of dirt traps, which were main objectives during the design stages.

Conclusion: an all-round, refined and state of the art system for Manual Price Labelling.

| Modell | ES 3012 | ES 3015 | ES 3060 | ES 7000 | ES 8000 |
|--------------------------------------|--------------|-----------------|---------------------------|-----------------|-----------------|
| Pack size in mm (L x W x H) | | | | | |
| Max. with alignment unit | | – | | 370 x 280 x 200 | 370 x 280 x 200 |
| Max. without alignment unit | | – | | 370 x 360 x 200 | 370 x 360 x 200 |
| Max. with long pack program | | – | | up to L 750* | – |
| Labelling output packs/min. | | – | | up to 120 | up to 150 |
| Multiple printer operation | | Yes | | Yes | Yes |
| Total printer | | Yes | | Yes | Yes |
| 8 Dot/mm / 200 dpi | | Yes | | Yes | Yes |
| 12 Dot/mm / 300 dpi | | Yes | | Yes | Yes |
| Label passage | | 110 mm | | 110 mm | 110 mm |
| Maximum printing speed | | 100 mm/s | | 300 mm/s | 300 mm/s |
| Print head service life optimised | | – | | Yes | Yes |
| Print width | | 80 / 104 mm | | 80 / 104 mm | 80 / 104 mm |
| Label minimum W x L | | 22 / 37 x 15 mm | | 37 x 37 mm | 37 x 37 mm |
| Printer from below | – | – | | 52 x 37 mm | 52 x 37 mm |
| Label maximum W x L | | 110 x 480 mm | | 110 x 200 mm | 110 x 200 mm |
| Printer from below | | – | | 110 x 130 mm | 110 x 130 mm |
| Label Rotation | | – | | 110 x 110 mm | 110 x 110 mm |
| Label reel core | | 76 mm | | 76 mm | 76 mm |
| Label reel outside diameter | | 210 mm | | 285 mm | 285 mm |
| Scales | | static | | dynamic | dynamic |
| Weighing range | 6 / 12 kg | 3 / 6 / 15 kg | 15 / 30 / 60 kg | 3 / 6 / 8 kg | 3 / 6 kg |
| Scale increment | 2 / 5 g | 1 / 2 / 5 g | 5 / 10 / 20 g | 1 / 2 / 5 g | 1 / 2 g |
| Scale | 300 x 275 mm | 330 x 235 mm | 540 x 430 mm | – | – |
| Height compensation & cross settings | | – | | automatic | automatic |
| Number of legs (basic machine) | | – | | 5 | 8 |
| RS 232 | | Yes | | Yes | Yes |
| RS 485 | | Optional | | Optional | Optional |
| Ethernet | | Yes | | Yes | Yes |
| Maintenance / Internet | | Yes | | Yes | Yes |
| PS/2 connection | | Yes | | Yes | Yes |
| Parallel / USB | | Yes | | Yes | Yes |
| Memory intern/extern | | | Hard disc | | |
| Mains voltage | | | 190V to 240V / 50 - 60 Hz | | |
| Operating temperature | | | - 10 °C to + 40 °C | | |

*depends on packages and machine configurations



ESPERA-WERKE GMBH

P.O. Box 10 04 55 • 47004 Duisburg
 Tel. ++49(0)203/30 54 - 0 • Fax ++49(0)203/30 54 - 275
 info@espera.com • www.espera.com