

## JLG/GS - Crane scale

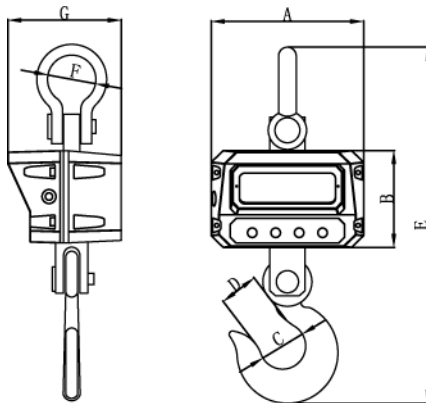


- Capacity from 600 kg to 15.000 kg.
- Easy operation and solid construction.
- 30 mm large bright red LED with wide angle view.
- 400 % tested overload.
- 1/3000 and 1/6000 division switch.
- Up to 150 hours battery time.
- Remote control with distance of 20 m and over.
- Auto off function to save battery.
- Tare- Zero- and Hold function.
- Heat shield as option.
- Remote display as option.

***“INNOVATIVE APPLICATIONS  
LATEST TECHNOLOGY  
LONG EXPERIENCE”***

Specifications are subject to change without notice.

## JLG/GS – Crane scale specifications:



### Dimensions and Capacity( All measurements are in mm ):

Model:	A	B	C	D	E	F	G	Capacity:	Division:	Net weight:
JLG/GS-0,6	260	171	50	50	575	87	194	600 kg	0,2 / 0,1 kg	14 kg
JLG/GS-1T	260	171	50	50	575	87	194	1000 kg	0,5 / 0,2 kg	14 kg
JLG/GS-2T	260	171	50	50	575	87	194	2000 kg	1 / 0,5 kg	14 kg
JLG/GS-3T	260	171	50	50	575	87	194	3000 kg	1 / 0,5 kg	15 kg
JLG/GS-5T	260	171	60	63	615	89	194	5000 kg	2 / 1 kg	19 kg
JLG/GS-10T	260	171	75	100	740	100	204	10 000 kg	5 / 2 kg	33 kg
JLG/GS-15T	260	171	82	100	940	137	214	15 000 kg	10 / 5 kg	65 kg

### Options:

Remote Display	Heat shield
----------------	-------------

### Power requirement:

Adapter specification:	Input: 120/230V AC 50 ~ 60Hz Output: 9V / 800mA
Built in battery:	6V / 10Ah, rechargeable
Continues operation time:	150 hours continues use
Auto off function:	Yes

### General:

Operating temperature	0°C to 40°C
Operating humidity	< 85%RH Max. (Non-condensing)
Max. overload	400 %

### Authorized dealer:

 <p><b>scanvaegt</b> WEIGHING &amp; LABELLING SYSTEMS</p>	
Scanvaegt AB Box 9059 400 92 GÖTEBORG	Tel: 031-709 07 07 Fax: 031-709 05 07 E-mail: info@scanvaegt.se

Specifications are subject to change without notice.