



# HI-700W

Wide high speed automatic weigh price labeller

120ppm



*Searching for a New Balance*

# The DIGI HI-700W is a wide high speed, dynamic weigh price labeller capable of operating at up to 120PPM.

## Performance

Classification	Automatic
Capacity	3Kg/1g 12Kg/2g
Weighing Mode	Catch Weight Fixed Weight Average Weight
Packs Per Minute	up to 120 *Dependant on pack and scale spec
Pack Size	80-300mm / 3.15"-11.81" Long 40-410mm / 1.57"-16.14" Wide 180mm / 7.08" High
Sensor Orientation	Horizontal Angled *Optional
Flow Direction	Left to Right Right to Left

## Requirements & Peripherals

Power supply	220-240V AC 50Hz 105-115V AC 60Hz
Air supply	4-6 bar 50-300 ltrs/min
Environment (operational)	0-30°C 32-86°F
Communications	Ethernet USB
Networking	Online Programming Online Monitoring Back Office Data Collection

## Operation

Screen	12.1" Colour Touch Display 15.2" Colour Touch Display *Optional
Software	Embedded Application
Operating System	Windows® OS
Language	Multi-lingual Unicode
Security	Hierarchical Password Protection Programmable User Limitations
PLU Selection	Pictorial Numerical
Total Label design	Built-in Application

## Performance

A modular weigh price labeller capable of pack processing speeds of up to 120ppm. The wide conveyor system has the capacity to handle packs of up to 410mm wide. The HI-700W is supplied with a single top Signature labeller and integrated pack guides as standard.

## Compatibility

The HI-700W has been designed to be compatible with a variety of DIGI labellers and total printers. A third party interface system is offered for communication with devices such as sleeves, scanners, cameras, wrappers and metal detectors.



## Diversity

The modular design of our series of weigh price labellers allows the HI-700W to manage multi-labeller systems. Up to 5 integrated top and/or bottom labeller stations can be added to a single HI-700W unit allowing multiple labels per pack and offering the flexibility to label both the top and under side of each pack simultaneously.

With more than one labeller station connected, labeller swapping and alternate label application are available, minimising downtime and maximising production.

## Easy Maintenance

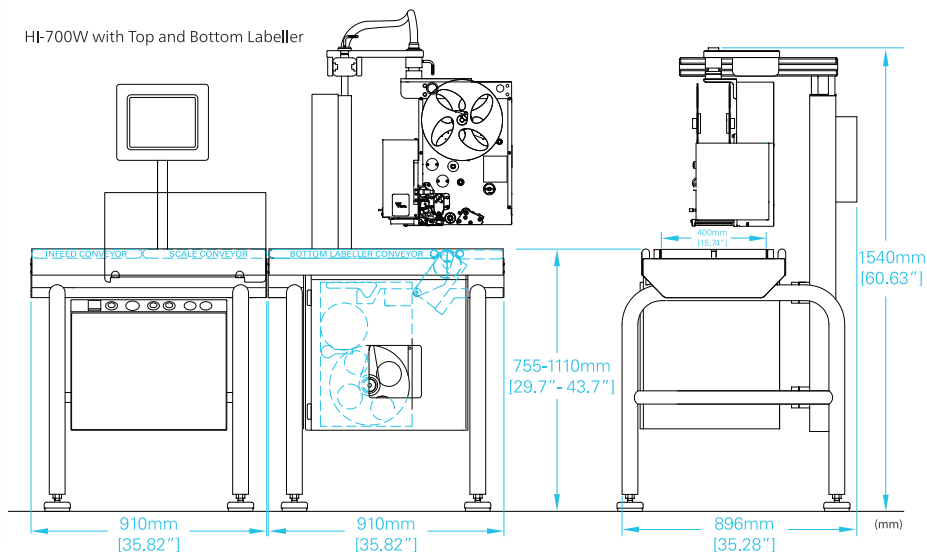
The sealed, resistive touch screen grade 304L steel tubular frame, minimises dirt traps, promotes easy cleaning and elevates hygiene.

## Key Features

- ✓ Auto Weigh-Price-Labeling
- ✓ Up to 120ppm
- ✓ Wide Pack Processing
- ✓ Catch, Fixed and Avg. Weight
- ✓ Full Colour Touch Screen
- ✓ Built in Label Designer
- ✓ Pack Guides
- ✓ Total Printing
- ✓ Networking
- ✓ Data Collection
- ✓ Remote Programming

Contact sales for additional features

HI-700W with Top and Bottom Labeller



Custom options available, please contact sales@uk.digi-group.com



**DIGI EUROPE Ltd.**

DIGI House, Rookwood Way, Haverhill, Suffolk. CB9 8DG. UK  
tel: 44 (0)1440 712175 email: sales@uk.digi-group.com  
www.digisystem.com/uk

